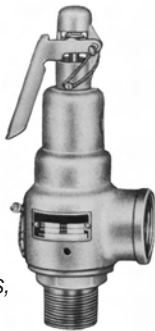


HEATING & HYDRONICS

BRONZE SAFETY VALVES A.S.M.E. STANDARD, N.B. CERTIFIED

BRONZE SAFETY RELIEF VALVES FOR AIR, STEAM, AND NON-HAZARDOUS GAS APPLICATIONS:

- STEAM BOILERS & GENERATORS
- AIR/GAS COMPRESSORS - Reciprocating or Rotary
- PRESSURE VESSELS containing steam, air or non-hazardous gas. Includes tanks, receivers, sterilizers and autoclaves
- PRESSURE LIMITS:
- STEAM to 250 PSIG 406 F
- AIR/GAS to 300 PSIG 300 F



STEAM PART #	AIR PART #	INLET MALE	OUTLET FEMALE	SETTING
59006054	59006154	1-1/4"	1-1/2"	150 PSIG
59006066	59006166	1-1/2"	2"	150 PSIG
59006080	59006180	2"	2-1/2"	150 PSIG

LOW PRESSURE STEAM HEATING BOILER SAFETY VALVES

PART #	INLET	SETTING	CAP. LBS./HR
59201020	3/4"M	15 LB.	410
59201026	1"M	15 LB.	832
59201030	3/4"Mx3/4"F	8 LB.*	475
59201032	3/4"Mx3/4"F	12 LB.*	475
59201034	3/4"Mx3/4"F	15 LB.	475
59201040	1"Mx1"F	15 LB.	643
59201042	1-1/4"Mx1-1/2"F	15 LB.	1,200
59201044	1-1/2"Mx2"F	15 LB.	1,900
59201046	3/4"Mx3/4"F	15 LB.	400



*All valves under 15 lbs. are not A.S.M.E. approved.

59201046

SAFETY RELIEF VALVES

For hot water heating boilers, heating systems and unfired pressure vessels, pressure cookers, steam kettles.

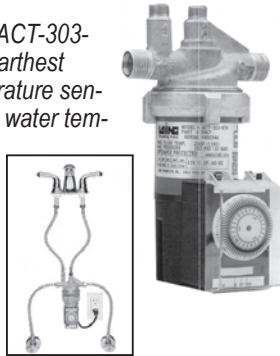
PART #	INLET	OUTLET	SETTING	CAP. LBS./HR
57205010	3/4"M	1"F	25 LB.	375
57205012	3/4"M	1"F	30 LB.	425
57205016	3/4"M	3/4"F	40 LB.	525
57205018	3/4"M	3/4"F	45 LB.	575



LAING AUTOCIRC

Instant hot water at every faucet. The ACT-303-BTW is for installation under the sink farthest from the water heater. A built in temperature sensor automatically turns pump on when water temperature in hot water line cools down to 85°F. Pump turns off automatically when water temperature reaches 95°F, insuring instant availability of shower warm water with maximum temperature hot water only seconds behind.

AUTOVENT PART # 62050290



LAING RECIRC - FOR NEW INSTALLATION

By adding a return line from the most distant water faucet to the existing water heater and installing a Laing Recirc pump with auto-air vent, hot water is constantly recirculating in the supply line. This model comes with and without a timer.

PART # 80100138 - Without timer
PART # 62050301 - With timer



ZOELLER PUMPS

DEWATERING & SUMP PEDESTAL PUMP

Model 81. 3 HP designed for indoor applications where motor is mounted above the pit cover and protected. Designed for 50 gpm @ 5 ft to 10 gpm @ 15 ft.

PART # 62991081



FLOOR SUCKER MODEL 42 1/6 HP

Use submerged or on any flat surface to pump clean water. Model 42 is adaptable for use with standard garden hose (fitting included) or 1" NPT. Total dynamic head flow **per hour**, 900 gallons @ 5 ft - 360 gallons @ 15 ft.

PART # 62991075



MIGHTY-MATE MODEL 53 CAST IRON SUBMERSIBLE PUMP FOR DEWATERING (SUMP) OR EFFLUENT (SEPTIC TANK SYSTEMS)

Non-clogging vortex impeller passes 1/2" solids. Float operated, submersible with 9 ft. cord plug. Total dynamic head/capacity 43 gpm @ 5 ft. to 19 gpm @ 15 ft. 1/3 HP 115V with 1-1/2" NPT discharge.

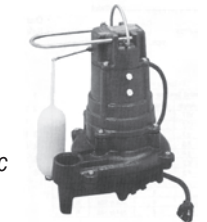
PART # 80100136



FLOW-MATE MODEL 137 CAST IRON SUBMERSIBLE PUMP FOR SEPTIC TANKS - LOW PRESSURE PIPE - EFFLUENT OR DEWATERING.

Non-clogging vortex impeller passes 5/8" solids. Float operated with 10 ft cord plug. Total dynamic head/capacity 93 gpm @ 5ft. - 8 gpm @ 25 ft.

PART # 62991050



ZOELLER PUMP ACCESSORIES

PART # 62991085 - Sump Pump Hose
PART # 62991086 - Check Valve



TOTAL MAINTENANCE SOLUTIONS

HOUSTON
800/392-5066

ORLANDO
800/327-3022

GREENVILLE
800/476-2212

LOOK FOR US ON THE WEB AT: www.TMSSouth.com

HEATING & HYDRONICS

WATER HEATER T & P RELIEF VALVES A.S.M.E. SELF-CLOSING UP TO 100,000 BTU/HR

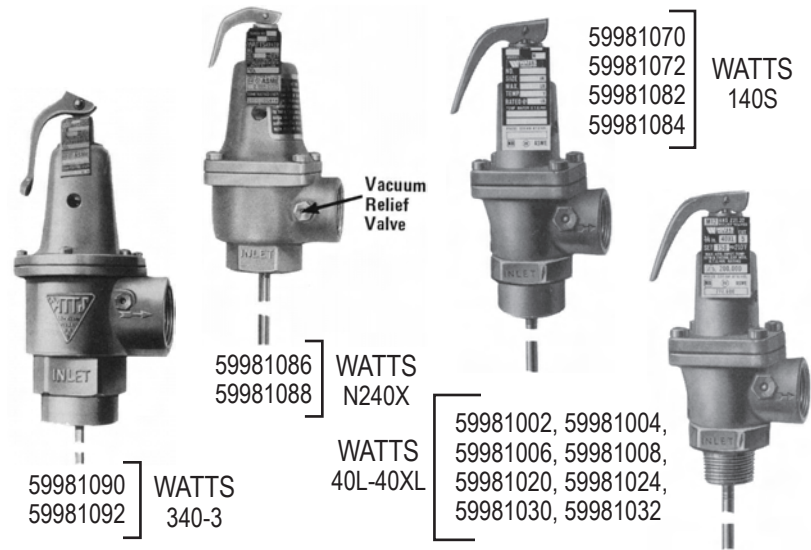
PART #	SIZE	SETTING	STEM
59981050	3/4"	125 LB.	2"
59981052	3/4"	150 LB.	2"
59981060	3/4"	75 LB.	4"
59981062	3/4"	100 LB.	4"
59981064	3/4"	125 LB.	4"
40585982	3/4"	150 LB.	4"
40585989	3/4"	175 LB.	4"
59981067	3/4"	150 LB.	8"
40581132	3/4"	150 LB.	3"



59981069
Extended inlet
for heaters
with extra
thick
insulation

T & P RELIEF VALVES FOR GAS, ELECTRIC OR OIL FIRED STORAGE WATER HEATERS

PART #	INLET	OUTLET	Therm. Length	Setting	AGA	A.S.M.E.
					Temp. Steam Rating BTU/HR	Pres. Steam Rating BTU/HR
59981002	3/4"M	3/4"F	3"	125 LB.	180,000	777,600
59981004	3/4"M	3/4"F	3"	150 LB.	180,000	777,600
59981070	3/4"F	3/4"F	3"	125 LB.	180,000	777,600
59981072	3/4"F	3/4"F	3"	150 LB.	180,000	777,600
59981020	3/4"M	3/4"F	5"	125 LB.	200,000	777,600
40585985	3/4"M	3/4"F	5"	150 LB.	200,000	777,600
59981024	3/4"M	3/4"F	5"	175 LB.	200,000	777,600
59981030	3/4"M	3/4"F	8"	125 LB.	200,000	777,600
59981032	3/4"M	3/4"F	8"	150 LB.	200,000	777,600
59981006	1"M	1"F	2"	125 LB.	450,000	1,155,000
59981008	1"M	1"F	2"	150 LB.	450,000	1,155,000
59981082	1"F	1"F	3"	125 LB.	570,000	1,670,000
59981084	1"F	1"F	3"	150 LB.	570,000	1,670,000
59981086	1"F	1"F	6"	125 LB.	730,000	2,195,000
59981088	1"F	1"F	6"	150 LB.	730,000	2,195,000
59981090	1-1/2"F	1-1/2"F	3"	125 LB.	1,150,000	3,450,000
59981092	1-1/2"F	1-1/2"F	3"	150 LB.	1,150,000	3,450,000



A.S.M.E. WATER PRESSURE SAFETY RELIEF VALVES

Bronze body safety relief valves for pressure protection only of all types of hot water heating boiler equipment. Pressure range 30-150 LBS.

PART #	SIZE	SETTING
80100053	3/4"F	30 LB.
80100055	3/4"F	75LB.
59981206	3/4"F	125 LB.
80100057	3/4"F	150 LB.
80100058	1"F	30 LB.
80100060	1"F	75 LB.
59981212	1"F	90 LB.
59981214	1"F	125 LB.
59981216	1"F	150 LB.
59981218	1-1/4"F	30 LB.
59981220	1-1/4"F	125 LB.
59981222	1-1/4"F	150 L.B.
80100063	1-1/2"F	30 LB.
59981226	1-1/2"F	125 LB.
59981228	1-1/2"F	150 LB.
59981229	2"F	30 LB.
59981232	2"F	125 LB.
59981234	2"F	150 LB.

Iron body safety relief valves with expanded outlets for hot water space heating boilers. Pressure range 30-75 LBS.

PART #	SIZE	SETTING
80100065	3/4"x1"	30 LB.
80100066	3/4"x1"	50 LB.
59981484	3/4"x1"	75 LB.
80100067	1"x1-1/4"	30LB.
80100068	1"x1-1/4"	50 LB.
59981490	1"x1-1/4"	75 LB.
80100071	1-1/2"x2"	30 LB.
80100072	1-1/2"x2"	50 LB.
59982000	1-1/2"x2"	75 LB.
80100073	2"x2-1/2"	30 LB.
80100074	2"x2-1/2"	50 LB.
59982006	2"x2-1/2"	75 LB.



BRONZE BODY
WATTS 174A



IRON BODY
WATTS 740



**TOTAL
MAINTENANCE
SOLUTIONS**

HOUSTON
800/392-5066

ORLANDO
800/327-3022

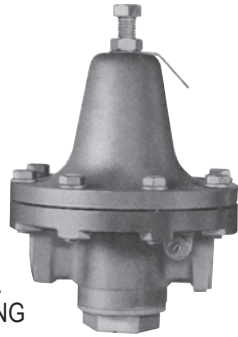
GREENVILLE
800/476-2212

LOOK FOR US ON THE WEB AT: www.TMSSouth.com

HEATING & HYDRONICS

STEAM PRESSURE REGULATOR – IRON BODY

Sensitive response to reduced pressure changes and fullest possible volumes without appreciable reduced pressure changes. Used on oil lines, testing fixtures, autoclaves, steam tables, steam irons, single radiators, vulcanizers, sterilizers and process lines.



PART #	SIZE	ADJ. RANGE	STD. SETTING
59981148	1/2"	3-15 lbs.	10 lbs.
59981150	1/2"	10-30 lbs.	20 lbs.
59981152	3/4"	10-50 lbs.	25 lbs.
59981154	3/4"	30-140 lbs.	75 lbs.
59981156	1"	10-30 lbs.	25 lbs.
59981158	1"	30-140 lbs.	75 lbs.

B & G A.S.M.E. SAFETY RELIEF VALVES

Cast iron and bronze body valves are engineered in accordance with the requirements of Sec. IV of A.S.M.E code for heating boilers.



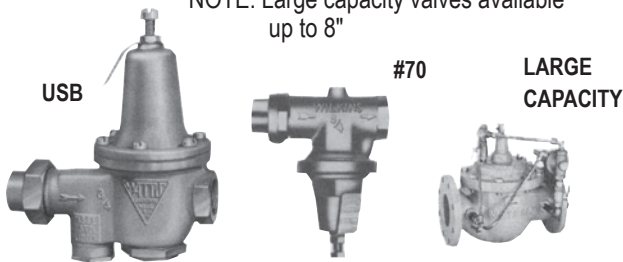
PART #	SIZE	SETTING	CAPACITY BTU/HR.	TYPE	MFG.#
60680128	3/4"x 3/4"	30 PSI	790,000	Bronze	790-30
60680129	1"x 1"	30 PSI	1,170,000	Bronze	1170-30

WATER PRESSURE REDUCING VALVES

Maximum supply pressure of 300 PSI.

PART #	SIZE	ADJ. RANGE	STD. SETTING	MFG. #	REPAIR KIT PART #
59981096	1/2"	25-75 PSI	50 PSI	U5B	59981443
59981098	3/4"	25-75 PSI	50 PSI	U5B	59981444
59981099	3/4"	10-35 PSI	30 PSI	U5BLP	
40585981	1/2"	25-75 PSI	50 PSI	#70	59951240
40300166	3/4"	25-75 PSI	50 PSI	#70	59951241
40300194	1"	25-75 PSI	50 PSI	#70	59951243

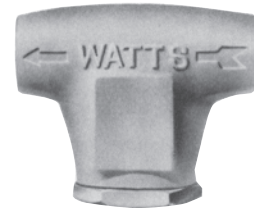
NOTE: Large capacity valves available up to 8"



STRAINERS - FOR WATER & STEAM SERVICE

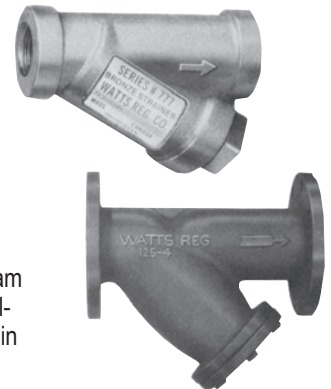
V-TYPE water strainer, S/S screen, up to 250 PSI, cast bronze body.

PART #	SIZE
59981288	1/4"
59981290	3/8"
59981292	1/2"



"Y"-TYPE water & steam service strainer, 20 mesh S/S screen, WWP 250 PSI @ 210 F, WSP 125 lbs. @ 400 F, bronze body.

PART #	SIZE
59981296	1/2"
59981298	3/4"
40585987	1/4" Plastic
59981300	1"
59981302	1-1/4"
59981304	1-1/2"
59981306	2"



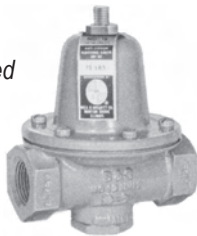
NOTE: Strainers for liquid & steam service up to 8" flanged are available. Also screens are available in various mesh sizes.

PRESSURE REDUCING VALVES- B&G

LOW PRESSURE

These low pressure reducing valves are equipped with a low inlet pressure check valve, removable strainers are suitable for use in buildings with a maximum of 3 floors.

PART #	SIZE	RANGE	SETTING	MFG. #
60680034	1/2"	10-25 PSI	12 PSI	B-38
60680036	3/4"	10-25 PSI	12 PSI	B7-12



HIGH PRESSURE

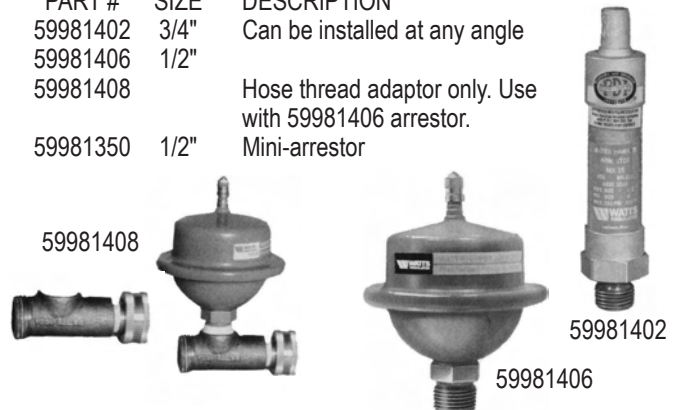
Protects plumbing fixtures against excessive line pressures and is equipped with a low inlet pressure check valve. These valves are fitted with removable strainer, extra large diaphragm and are factory adjusted to reduce incoming pressure of 125 PSI to a delivered pressure of 45 PSI.

PART #	SIZE	RANGE	SETTING	MFG.#
60680038	1/2"	25-60 PSI	45 PSI	6
60680039	3/4"	25-60 PSI	45 PSI	7

WATER HAMMER ARRESTORS

Used to end annoying noises from banging pipes and water hammer.

PART #	SIZE	DESCRIPTION
59981402	3/4"	Can be installed at any angle
59981406	1/2"	
59981408		Hose thread adaptor only. Use with 59981406 arrestor.
59981350	1/2"	Mini-arrestor



TOTAL MAINTENANCE SOLUTIONS

HOUSTON
800/392-5066

ORLANDO
800/327-3022

GREENVILLE
800/476-2212

LOOK FOR US ON THE WEB AT: www.TMSSouth.com

HEATING & HYDRONICS

DUAL CHECK BACKFLOW PREVENTERS

For water supply service or individual outlets. Can be installed horizontally or vertically. For low hazard applications. Residential system containment.

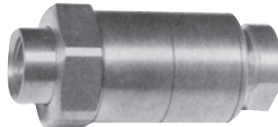
PART #	SIZE
40581714	3/4"
59981273	1"



DUAL CHECK BACKFLOW PREVENTERS

For in-line continuous pressure applications. Maximum pressure 150 PSI, Minimum pressure 10 PSI

PART #	SIZE	FINISH
40585983	3/8"	Chrome
59981276	3/8"	Plain brass
40581274	3/8"	Chrome with adapter hose fittings
40350115	3/8" mpt x 3/4" fght swivel	
40350116	3/8" mpt x 3/4" mght	



ANTI-SIPHON VACUUM BREAKERS

For cold or hot water. For high hazard cross-connection not subject to continuous pressure- 6" above flood rim.

PART #	SIZE	FINISH	REPAIR KIT PART #
40110043	1/4"	Chrome	40110049
40110044	3/8"	Chrome	40110049
40110045	1/2"	Chrome	40110050
40110058	3/4"	Chrome	40110051
40110046	1"	Chrome	40110051
	1-1/4"		40110062



BACKFLOW PREVENTER W/ ATMOSPHERIC VENT

For exposed serviceable installations. Suitable for use under continuous pressure.

PART #	SIZE	FINISH	REPAIR KIT PART #
59981238	1/4"	Brass	59981482
59981240	3/8"	Chrome	59981482



LABORATORY FAUCET VACUUM BREAKER

Not for continuous pressure. Fits to standard outlet of gooseneck. Maximum pressure 125 PSI.

PART #	SIZE	FINISH	REPAIR KIT PART #
40581133	3/8"	Chrome	59981482

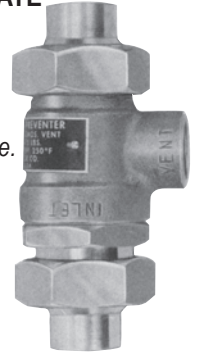


BE SURE TO CHECK OUR BACKFLOW PREVENTER CATALOG FOR ADDITIONAL MODELS & PARTS

BACKFLOW PREVENTER W/ INTERMEDIATE ATMOSPHERIC VENT

- For laboratory equipment, process tanks and sterilizers.
- For boiler feed lines to prevent backflow when supply pressure falls below system pressure.
- For hot or cold water & can be used under continuous pressure.

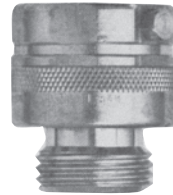
PART #	SIZE	REPAIR KIT PART #
59981243	1/2"	59981480
59981244	3/4"	59981480



HOSE CONNECTION VACUUM BREAKERS

For back-siphonage protection

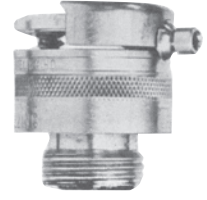
PART #	FINISH	TYPE
40110041	Chrome	Non-freezing areas
40110042	Brass	Non-freezing areas
59951238	Brass	Freezing areas
59951239	Chrome	Freezing areas
59981232	Brass	Non-removable



Non-freezing areas



Non-removable



Freezing areas

NEED A NEW WATER HEATER?
(Or just replacement parts!)
CALL US!



TOTAL MAINTENANCE SOLUTIONS

HOUSTON
800/392-5066

ORLANDO
800/327-3022

GREENVILLE
800/476-2212

LOOK FOR US ON THE WEB AT: www.TMSSouth.com

HEATING & HYDRONICS

TEMPERING VALVES

RESIDENTIAL INSTALLATIONS

Adjusting dial for "finger-tip" temperature control. Standard temperature range 120°F to 160°F. Max. temperature 210°F. Max pres. 150 PSI

REPAIR KIT

PART #	SIZE	PART #
59981282	1/2" SWT	59981586
59981284	3/4" SWT	59981586

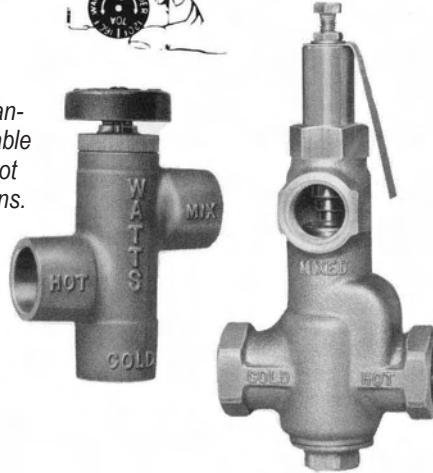


COMMERCIAL INSTALLATIONS

For use on large hot water supply systems. Standard temperature range 130°F to 180°F. Available for requirements below 130°F. Valves should not be used for "anti-scald" or "anti-chill" applications. Tempering valves are not designed to compensate for system pressure fluctuations.

REPAIR KIT

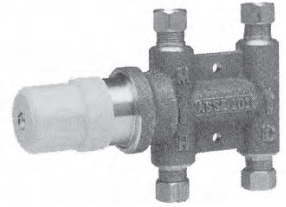
PART #	SIZE	PART #
59981310	3/4"	0877076
59981312	1"	0877076



UNDERSINK GUARDIAN

- ASSE 1016 listed
- Maintain, ± 3°F mixed water temp up to maximum outlet temp or 120°F
- Built in check valves
- Adjustable 80°F - 120°F
- Minimum flow rate required, 0.5 gpm
- Installs between stop valves and faucet

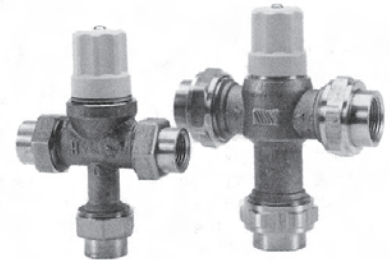
PART # 59982119 - Bronze
PART # 59982120 - Satin Chrome



THERMOSTATIC MIXING VALVES

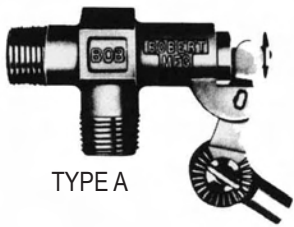
- For use in domestic water systems at the point of use
- ASSE 1016 listed

PART #	SIZE
40585984	1/2"
40581134	3/4"

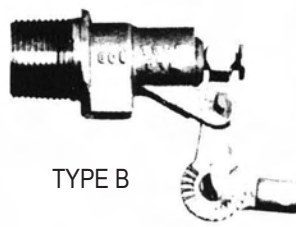


**MECHANICAL FLOAT VALVES
BOB BRASS - RED BRASS BODY**

TYPE	PART #	SIZE	PLUNGER ASSEMBLY	SEAT DISC	CUP WASHER
A	60051001	3/8"x 3/8"	60050321	60050053	60051008
A	60051002	1/2"x 1/2"	60055241	60050063	60055063
A	60051003	3/4"x 3/4"	60052701	60050073	60055065
A	60051004	1"x 1"	60050351	60050083	60055067
B	60051201	3/8"	60050451	60059771	60055069
B	60051005	1/2"	60050451	60059771	60055069
B	60051203	3/4"	60050461	60051991	60055063



TYPE A



TYPE B



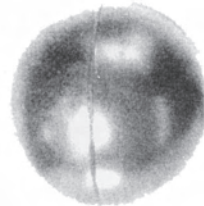
DISC



CUP



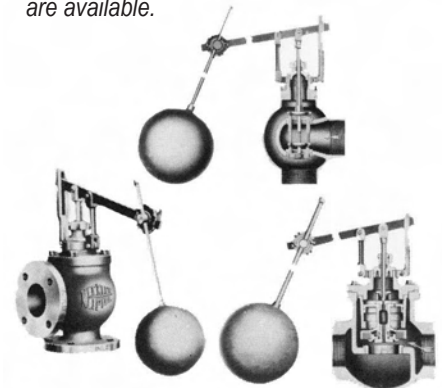
BOB BRASS STAINLESS STEEL VALVES AND REPAIR PARTS



PLUNGER ASSEMBLY

LARGE CAPACITY FLOAT VALVES

O.C. KECKLEY
Size 1/2" thru 12". Operating pressures to 250 PSI. Rebuild kits, float balls and levers are available.



HOUSTON
800/392-5066

ORLANDO
800/327-3022

GREENVILLE
800/476-2212

LOOK FOR US ON THE WEB AT: www.TMSSouth.com

HEATING & HYDRONICS

AIR VALVE #1A

A float-type vent with adjustable port for true proportional venting. Port settings from (#1) slow to (#6) fast venting. 1/8" NPT angle connection. Operating pressure up to 1-1/2 PSI. Maximum pressure 10 PSI.



PART #
60680011

RADIATOR STEAM VENTS

AIR VALVE #70A

A float-type vent with a single non-adjusting port. This valve meets Fed. Spec. WW-V-151 for Type 1 Non-Adjusting Valves. 1/8" NPT angle connection. Operating pressure up to 11 PSI. Maximum pressure 15 PSI.



PART # 60680070

AIR VALVE #40

A float-type vent with a single non-adjustable port. For use on ordinary one-pipe system not requiring proportional venting. 1/8" NPT angle connection. Operating pressure up to 6 PSI. Maximum pressure 10 PSI.



PART # 80100026

AIR VALVE

Float-type vent with adjustable port. Port opening can be adjusted from (#1) slow to (#6) fast venting. Telescopic Siphon Tube. Designed for 1/4" NPT straight shank. Operating pressure up to 1-1/2 PSI. Maximum pressure 10 PSI.



PART # 60680012

CONVECTOR STEAM VENTS

AIR VALVE

Single-port, straight shank vent for small steam systems. Angle cut of telescopic siphon tube assures positive drainage. Maximum pressure of 10 PSI.

PART #	SIZE
60680041	1/8"
60680043	1/4"
60680045	1/2" FIP x 3/4" MIP



AIR VALVE

A disc-type vent with built-in check valve for automatic venting of convectors and radiators. 1/8" NPT. Maximum steam pressure 15 PSI.

PART # 60682263



AIR VALVE

A float-type vent with single non-adjustable port for use as a main vent on residential and other small one-pipe or two-pipe systems. 1/2" FIP x 3/4" MIP shank. Operating pressure up to 2 PSI. Maximum pressure 10 PSI.



PART # 60681413

MAIN STEAM VENTS

AIR VALVE

Float-type vent, each with a single non-adjustable port for relieving air from the mains of medium and large systems. 1/2" FIP x 3/4" MIP shank. Maximum pressure of 15 PSI.



PART #	OPER. PRES.
60680075	3 PSI
60680175	10 PSI

VACUUM VALVE

Float-type vent with single non-adjustable port for relieving air from the mains of medium and large size one-pipe vacuum systems. 1/2" FIP x 3/4" MIP shank. Operating pressure up to 3 PSI. Maximum pressure of 15 PSI.



PART # 60680076

QUICK VALVE

Thermostatic air vent for steam systems and process equipment. Operating on temperature changes only; does not close against water. Quick vent must be installed on a nipple 6" to 10" above horizontal return, which must be at least 18" above the boiler water line. 1/2" FIP x 3/4" MIP shank. Maximum operating pressure 25 PSI. PART # 60680004



SPECIAL STEAM VENTS

STEAM UNIT HEATER AIR VALVE

Float-type vent with single non-adjustable port especially designed for use with Steam Unit Heaters. Vents air when present, with rising, dropping, or steady pressure. 1/2" FIP x 3/4" MIP shank. Operating pressure up to 35 PSI. Maximum pressure of 35 PSI. PART # 60680074



TYCO HY-VENT

High capacity float vent. Ideal for use on large air separation equipment.

PART #	CAPACITY
60370400	1/8" 150 PSIG
60370418	3/4" 150 PSIG



**TOTAL
MAINTENANCE
SOLUTIONS**

HOUSTON
800/392-5066

ORLANDO
800/327-3022

GREENVILLE
800/476-2212

LOOK FOR US ON THE WEB AT: www.TMSSouth.com

HEATING & HYDRONICS

WATER MAIN VENT VALVE

Designed for use on high pressure hot or cold water mains and process applications. Cast brass body. Safety drain connection for discharging moisture entrained in the vented air. Tapped at the top for 1/8" NPT. Built-in check valve. 3/4" MPT shank. Maximum operating pressure of 150 PSI. Will withstand hydrostatic pressure of 450 PSI.



PART # 60680078

WATER VENTS

WATER VENT

Designed for efficient releasing of air in hydronic heating systems, such as baseboard radiators, convector radiators and small heating units. 1/8" MIP shank. Maximum pressure up to 35 PSI, Max temp. 230°F.



PART # 60680077

WATER MAIN VENT VALVE

Designed for use in hot or cold water mains and process applications. Tapped at top for 1/8" NPT. Safety drain connection for discharging moisture entrained in the vented air. Built-in check valve. 1/2" FIP x 3/4" MIP shank. Maximum operating pressure of 75 PSI. Will withstand hydrostatic pressure of 200 PSI.



PART # 60680079

WATER VALVE

Especially designed for removing air from convectors, baseboard and wall radiators. Safety drain connects at the top for discharging moisture entrained in the vented air. Fitting & ferrule for 3/16" OD tubing. Telescopic Siphon Tube. 1/8" NPT shank. Maximum operating pressure 30 PSI.



PART # 60680790

WATER VALVE

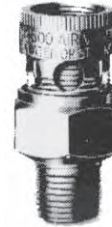
Designed for convectors and small mains. Safety drain connection at top for discharging moisture entrained in the vented air. Fitting and ferrule for 3/16" OD tubing. Telescopic Siphon Tube. 1/4" NPT shank. Maximum operating pressure 50 PSI.



PART # 60680791

AIR VALVE

A disc-type vent, with Built-In Check Valve, designed for venting systems either manually or automatically. Discs can be replaced without draining the system. 1/8" NPT shank. Maximum water pressure 50 PSI.



PART # 60682263

AIR CHAMBER

Designed for use on convectors which are not provided with built-in air chambers or air collection fittings. All brass construction and is provided with a drain tube. Ideal for use with AIR VALVE (60682263). 1/4" NPT shank, tapped at top for 1/8" NPT. Volume is 6 cubic inches. Maximum water pressure 100 PSI. Maximum steam pressure 25 PSI.



PART # 60680550

FAST VENTING EXPANSION TYPE

For continuous venting of hot water heating systems and chilled water cooling systems. Installed on mains, pipe lines, unit heaters, chillers, convectors, radiant panels and coils.

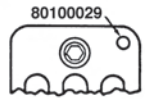


AUTO-VENT

Vertical or horizontal mounting. 1/8" MIP connection. Up to 75 lbs. pressure. PART # 80100029

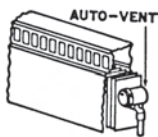
CONNECTOR FOR SAFE WASTE

PART # 60507000



For Free-Standing Radiators

60500067



AUTO-VENT



AIR ELIMINATORS

For hot water heating & chilled water cooling systems – Float Operated



AUTO-VENT

Vertical mounting, 1/8" FIP con., 75 lbs. pressure. 4-3/8" x 2-1/4" PART # 60500007



AUTO-VENT

Vertical mounting, 1/8" MIP con., 75 lbs. pressure. 4-3/8" x 2-1/4" PART # 60500078



AUTO-VENT

Vertical mounting, 1/8" MIP con. Up to 35 lbs. pressure. 3-3/4" x 1-9/16" PART # 60500067



Same as above with 1/4" MIP connection. PART # 60500068

AUTO-VENT

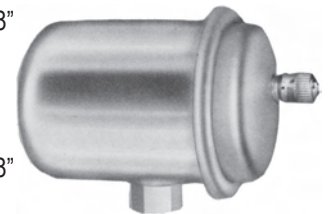
Vertical mounting, 1/4" MIP con., 150 lbs. pressure. 4-3/8" x 2-1/4" PART # 60500071



AUTO-VENT

horizontal mounting, 1/8" FIP connection. 50 lbs. pressure. 3" x 2-1/2" PART # 60500027

Same as above with 1/8" MIP connection. PART # 60500037



TOTAL MAINTENANCE SOLUTIONS

HOUSTON
800/392-5066

ORLANDO
800/327-3022

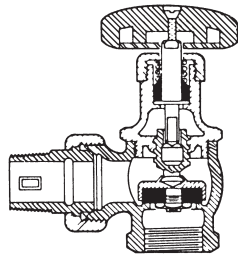
GREENVILLE
800/476-2212

LOOK FOR US ON THE WEB AT: www.TMSSouth.com

HEATING & HYDRONICS

STEAM & WATER SUPPLY VALVES

For one or two-pipe steam or water systems. Features non-rising handle and spring packed construction. Cast brass construction. Steam from 25" Hg. Vacuum to 150 PSIG, water up to 150 PSIG. Available in angle or straightway patterns.

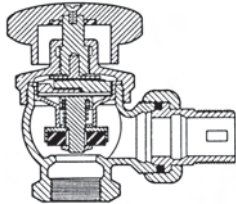


PART #	SIZE	TYPE
60685054	1/2"	Angle
60685057	3/4"	Angle
60689402	1"	Angle
60685072	1/2"	Straightway
60685075	3/4"	Straightway
60685078	1"	Straightway
60685081	1-1/4"	Straightway
60685084	1-1/2"	Straightway



STEAM & WATER PACKLESS SUPPLY VALVES

For vacuum, steam and water systems. Cast brass construction. Non-rising handle and packless construction (diaphragm type). Steam pressures from 25" Hg. Vacuum to 125 PSIG. Water pressure up to 125 PSIG.

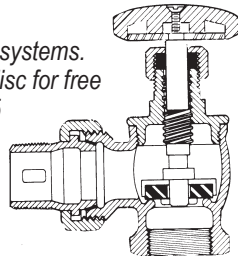


PART #	SIZE	TYPE
60685087	1/2"	Angle
60685090	3/4"	Angle
60685093	1/2"	Straightway
60685096	3/4"	Straightway

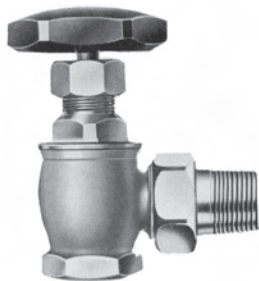


STEAM & WATER SUPPLY VALVES

For use on one & two-pipe steam or water systems. Cast brass construction. High lift of valve disc for free water drainage. Steam pressure up to 125 PSIG, water up to 150 PSIG.



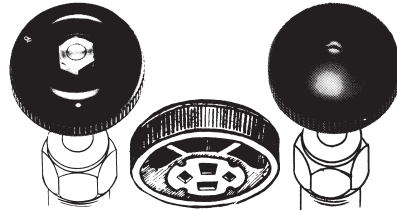
PART #	SIZE	TYPE
60689460	1/2"	Angle
60689461	3/4"	Angle
60689462	1"	Angle
60689463	1-1/4"	Angle
60689464	1-1/2"	Angle
60689465	2"	Angle



RADIATOR VALVE HANDLES

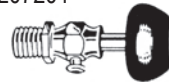
4-in-1 handles with adjustable plate which fits four different, standard size stem broaches is included with each handle. Handles are available in screw or nut style.

PART #	TYPE	HANDLE	
		O.D.	FITS SIZE
60261248	Screw	2-1/4"	1/4", 9/32", 5/16", 11/32"
60261255	Nut	2-1/4"	1/4", 9/32", 5/16", 11/32"
60261263	Screw	2-3/4"	11/32", 3/8", 13/32", 7/16"
60261271	Nut	2-3/4"	11/32", 3/8", 13/32", 7/16"



WOOD WHEEL AIR VENT

Bright plated. 1/8" MIP
PART # 60207201



LOOSE KEY AIR VENT

Bright plated. 1/8" MIP
PART # 60165126



VENT KEY

Heavy pattern
PART # 60165130



STEAM SPECIALTIES

TMS South can provide the full line of steam specialties from the following manufacturers. Please call us with your specific needs.

BARNES & JONES

- Low & Moderate Pressure Thermostatic Traps
- Float & Thermostatic Traps
- Compact Traps
- Vacuum Breakers

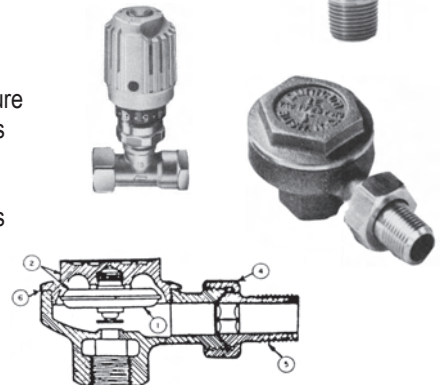


DANFLOS

- Non-Electric Thermostatic Radiator Valves

DUNHAM - BUSH

- Radiator Valves
- Low & High Pressure Thermostatic Traps
- Bucket Traps
- Float & Thermostatic Traps



HOUSTON
800/392-5066

ORLANDO
800/327-3022

GREENVILLE
800/476-2212

LOOK FOR US ON THE WEB AT: www.TMSSouth.com

HEATING & HYDRONICS

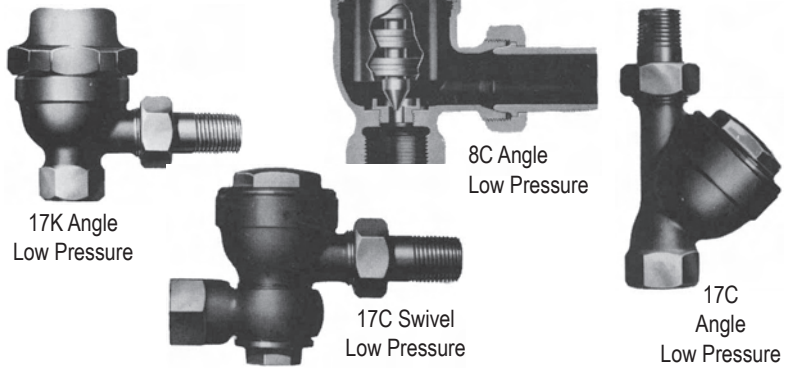
THERMOSTATIC TRAPS

LOW PRESSURE/MAXIMUM OPERATING PRESSURE 25 PSI

WATER HAMMER RESISTANT TRAPS

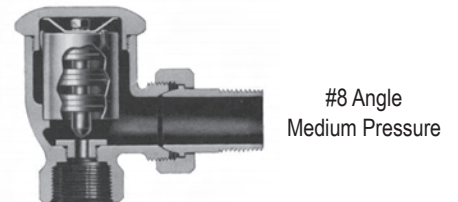
PART #	MFG.#	SIZE	TYPE	SERVICE KIT
NLA	17K	1/2"	Angle	NLA
60681572	17K	1/2"	Swivel	NLA
60681523	17K	1/2"	Vertical	NLA

PART #	MFG.#	SIZE	TYPE	SERVICE KIT
80100022	17C	1/2"	Angle	80100023
60681545	17C	1/2"	Swivel	80100023
60681551	17C	1/2"	Vertical	80100023
80100024	8C	3/4"	Angle	80100025
60681533	8C	3/4"	Straightway	80100025
60681530	9C	1"	Angle	60681175



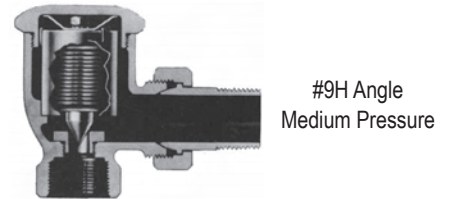
MEDIUM PRESSURE/MAXIMUM OPERATING PRESSURE 50 PSI

PART #	MFG.#	SIZE	TYPE	SERVICE KIT
60681506	8	1/2"x 1/2"	Angle	60680063
60681509	9	3/4"x 3/4"	Angle	60680105
60681512	9	1"x 1"	Angle	60680105



HIGH PRESSURE/MAXIMUM OPERATING PRESSURE 125 PSI

PART #	MFG.#	SIZE	TYPE	SERVICE KIT
60681515	8H	1/2"x 1/2"	Angle	60680066
60681518	9H	3/4"x 3/4"	Angle	60680108
60681521	9H	1" x 1"	Angle	60680108

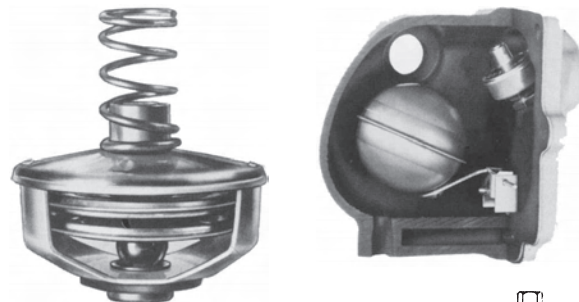


BARNES & JONES "CAGE UNIT" TRAP REPAIRS

Renew any steam trap in your system – even if the original trap is obsolete and the manufacturer is out of business. There is no need to take the trap off line. Replace just the interior for significant savings in time and labor cost. The following is a partial list of manufacturers for which "Cage Units" are available.

THERMOSTATIC TRAPS

American Sterilizer	ARCO	ADSCO
Barnes & Jones	Belknap	Braukman
Babcock & Becker	Broomell	Cashin-Thermoflex
Crane Valve Co.	Cromwell	Donnelly
Dunham-Bush	Fairbanks	Hoffman
Ideal	Jenkins	KELMAC
Johns Mansville	Marsh Traps	Milwaukee
Peerless	Sarco	Spirax
Sterling	Thermidaire	Trane Thermostatic
Terice	Twin City	Yarway



FLOAT & THERMOSTATIC TRAPS

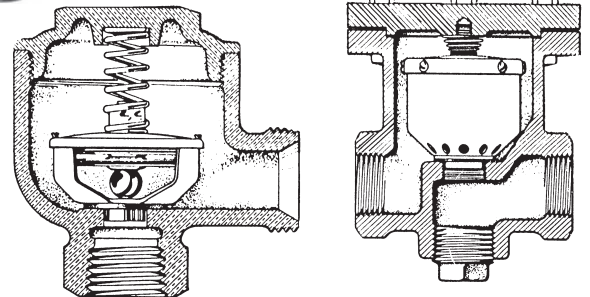
Barnes & Jones	Dunham-Bush	Hoffman
Sarco	Strong	Trane

DISC TRAP CONVERSIONS-MONEL BELLOWS

Erwell	Spirax Sarco	Yarway
--------	--------------	--------

DISC TRAP CONVERSIONS-STAINLESS STEEL BELLOWS

Erwell	Spirax Sarco	Yarway
--------	--------------	--------



To order a replacement "Cage Unit" please provide manufacturer, type of trap, model number and size.



**TOTAL
MAINTENANCE
SOLUTIONS**

HOUSTON
800/392-5066

ORLANDO
800/327-3022

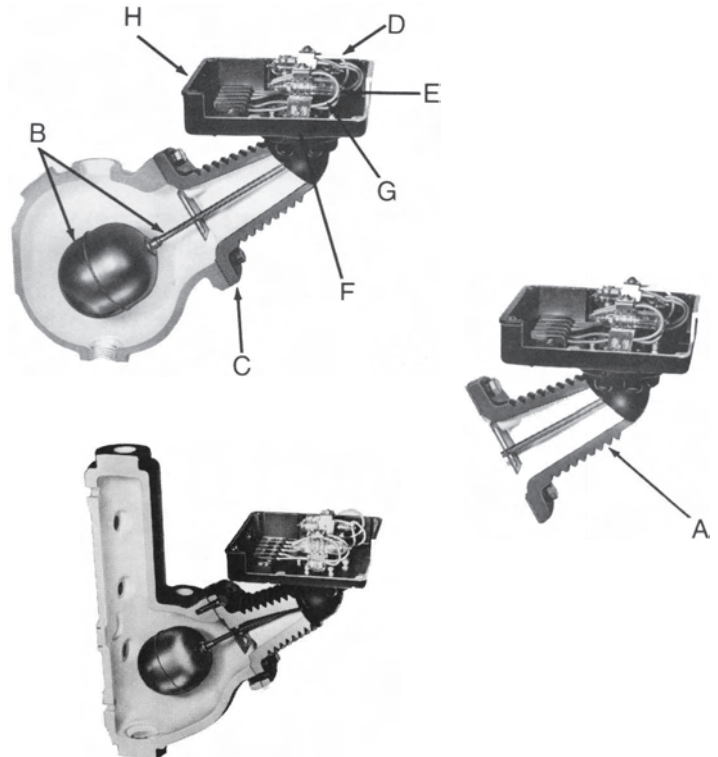
GREENVILLE
800/476-2212

LOOK FOR US ON THE WEB AT: www.TMSSouth.com

HEATING & HYDRONICS

PUMP CONTROL REPLACEMENT PARTS FOR SERIES 150 & 157

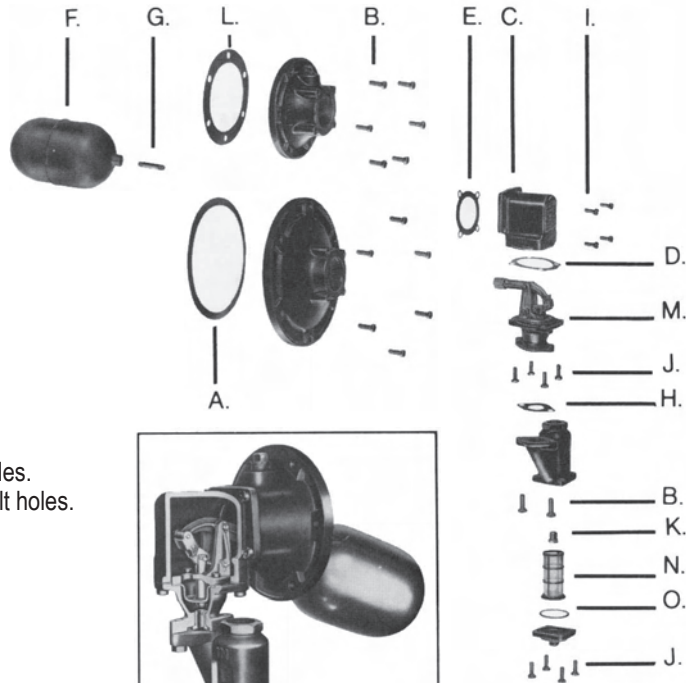
ITEM	PART #	DESCRIPTION
A	60173000	Complete Head Mechanism Automatic reset
	60173200	Complete Head Mechanism Manual reset
B	60685011	Float & Rod
C	60685014	Head Gasket
D	60348100	3-Wire Cut-off & Alarm Switch
E	60348300	2-Wire Cut-off & Alarm Switch
F	60325300	Bellows Base Gasket
G	60347900	Bellows Assembly with Gasket
H	60326950	Junction Box Cover
	60114400	Liquid Flow Switch (FS4-3) (not shown)



#157 same as # 150, except with water column type float chamber #157-M same as 157 except with manual reset cut-off switch.

WATER FEEDER REPLACEMENT PARTS FOR SERIES 21

ITEM	PART #	DESCRIPTION
A	60304100	Gasket for 221
B	60308800	Screw
C	60310600	Bracket
D	60310800	Gasket
E	60311100	Gasket
F	60311200	Float Assembly
G	60311400	Connector
H	60312900	Gasket
I	60313000	Screw
J	60313650	Screws (4)
K	60316100	Seat
L	60335400	Gasket for 21
M	60339500	Valve Assembly (includes H)
N	60339700	Screen (includes o-ring, cap & plug)
O		Square Cut O-Ring



ASSEMBLED SERIES 21

Note: Model 21 has casting with 5-3/4" bolt circle & 7/16" bolt holes.
Model 221 has head casting with 8-1/2" bolt circle and 17/32" bolt holes.

McDONNELL & MILLER REPAIR PARTS
The complete line of repair parts for all McDonnell & Miller controls is available. Please call with model number and we will be happy to supply you with parts diagrams.



**TOTAL
MAINTENANCE
SOLUTIONS**

HOUSTON
800/392-5066

ORLANDO
800/327-3022

GREENVILLE
800/476-2212

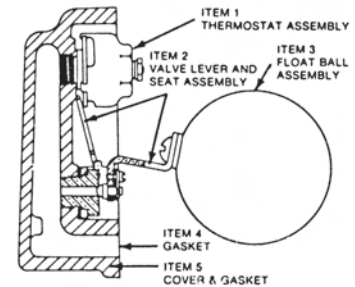
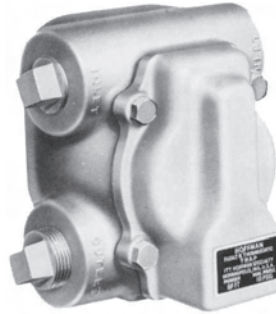
LOOK FOR US ON THE WEB AT: www.TMSSouth.com

HEATING & HYDRONICS

FLOAT & THERMOSTATIC TRAPS

An effective solution to trapping services which require continuous discharging of condensate and high venting capacity. The following traps are best suited for light to moderate condensate levels and range in size from 3/4" to 2". Traps are available in operating pressures from 0 to 175 PSIG.

PART #	SIZE	MAX PSI	MFG.#	SERVICE KIT	THERMOSTAT KIT
60682664	3/4"	15	55	60680129	60681108
60682665	1"	15	55	60681114	60681108
60682666	1-1/4"	15	55	60681117	60681108
60682667	1-1/2"	15	55	60681120	60681108
60682670	1"	30	550		60681108
60682671	1-1/4"	30	550	60681135	60681108
60682672	1-1/2"	30	550	60681138	60681108
60682675	1"	75	551	60681147	60681108
60682676	1-1/4"	75	551	60681153	60681108
60682677	1-1/2"	75	551	60681156	60681108
60682680	1"	125	552	60681165	60681111
60682681	1-1/4"	125	552	60681171	60681111
60682682	1-1/2"	125	552	60681177	60681111



Call for capacity charts.

SERVICE KIT – Contains items 1 thru 5
THERMOSTAT KIT – Contains items 1 & 4

INVERTED BUCKET TRAPS-CAST IRON

- Completely drains condensate and air at saturation temperature.
- Pressures up to 900 PSIG
- Available in cast iron, ductile iron, cast steel.

PART #	SIZE	SETTING	MFG.#	KIT*
60681870	1/2"	30 lbs.	601A	60681380
60682031	1/2"	75 lbs.	601A	60681383
60682034	1/2"	125 lbs.	601A	60681386
60681871	3/4"	30 lbs.	601A	60681380
60681872	3/4"	75 lbs.	601A	60681383
60681873	3/4"	125 lbs.	601A	60681386
60682073	3/4"	30 lbs.	603B	60680144
60682076	3/4"	75 lbs.	603B	60680147
60682079	3/4"	125 lbs.	603B	60680150
60682193	1"	30 lbs.	603B	60680144
60682196	1"	75 lbs.	603B	60680147
60682199	1"	125 lbs.	603B	60680150

- Withstands moderate water hammer.
- Capacities to 20,000 lb./hr.

* Kit contains complete cover assembly. All internal parts assembled to cover.

Please call for capacity charts or assistance in sizing a trap.

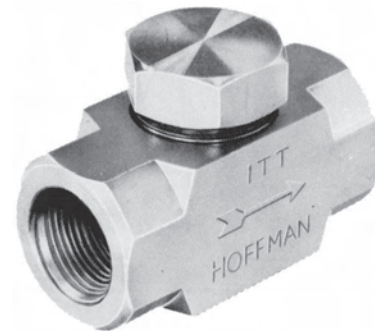


THERMODISC STEAM TRAPS

For tracing and drip line applications, unit heaters, small high pressure heat exchangers, sterilizers, and dryers. Teflon gasket option meets requirements of pharmaceutical and food processing industries. For pressures from 10 to 600 PSIG and temperatures to 750°F ... capacities to 2850 lbs./hr.

PART #	SIZE	MFG. #
60682724	3/8"	655
60682727	1/2"	656
60682730	3/4"	657
60682733	1"	658

Please call for capacity charts or assistance in sizing a trap.



**TOTAL
MAINTENANCE
SOLUTIONS**

HOUSTON
800/392-5066

ORLANDO
800/327-3022

GREENVILLE
800/476-2212

LOOK FOR US ON THE WEB AT: www.TMSSouth.com

HEATING & HYDRONICS

PRESSURE GAUGES

For indicating pressures on steam, air, water, oil or any media that does not attack brass. Accuracy: 2% over middle half of scale range, 3% over remainder.

PART #	DESCRIPTION	RANGE
2" DIAL 1/8" CENT. BACK MT.		
56024030	Pressure gauge	0-60 PSI
56024035	Pressure gauge	0-100 PSI
56024040	Pressure gauge	0-160 PSI
56024045	Pressure gauge	0-200 PSI
2" DIAL 1/4" BOTTOM MOUNT		
56931820	Pressure gauge	0-15 PSI
56931825	Pressure gauge	0-30 PSI
56931835	Pressure gauge	0-100 PSI
56932640	Pressure gauge	0-160 PSI
56931845	Pressure gauge	0-200 PSI
2-1/2" DIAL 1/4" BOTTOM MOUNT		
56892010	Pressure gauge	0-5 PSI
56892020	Pressure gauge	0-15 PSI
80100036	Pressure gauge	0-30 PSI
80100037	Pressure gauge	0-60 PSI
80100038	Pressure gauge	0-100 PSI
80100041	Pressure gauge	0-160 PSI
80100042	Pressure gauge	0-200 PSI
80100043	Pressure gauge	0-300 PSI
56892055	Pressure gauge	0-400 PSI
56892060	Pressure gauge	0-600 PSI
56892065	Pressure gauge	0-1000 PSI
2-1/2" DIAL 1/4" CENT. BACK MT.		
56893020	Pressure gauge	0-15 PSI
56893025	Pressure gauge	0-30 PSI
56893030	Pressure gauge	0-60 PSI
56893035	Pressure gauge	0-100 PSI
56893040	Pressure gauge	0-160 PSI
56893045	Pressure gauge	0-200 PSI
56893050	Pressure gauge	0-300 PSI
56893055	Pressure gauge	0-400 PSI
56893060	Pressure gauge	0-600 PSI



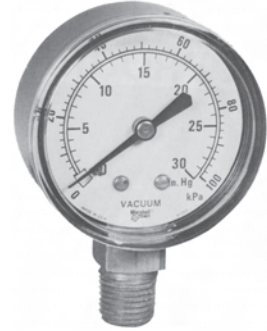
dium

PART #	DESCRIPTION	RANGE
3-1/2" DIAL 1/4" BOTTOM MOUNT		
56892220	Pressure gauge	0-15 PSI
56892225	Pressure gauge	0-30 PSI
56892230	Pressure gauge	0-60 PSI
56892235	Pressure gauge	0-100 PSI
56892240	Pressure gauge	0-160 PSI
56892245	Pressure gauge	0-200 PSI
56892250	Pressure gauge	0-300 PSI
56892255	Pressure gauge	0-400 PSI
56892260	Pressure gauge	0-600 PSI
56892265	Pressure gauge	0-1000 PSI
4-1/2" DIAL 1/4" BOTTOM MOUNT		
56892420	Pressure gauge	0-15 PSI
80100044	Pressure gauge	0-30 PSI
80100045	Pressure gauge	0-60 PSI
80100040	Pressure gauge	0-100 PSI
80100049	Pressure gauge	0-160 PSI
80100046	Pressure gauge	0-200 PSI
80100047	Pressure gauge	0-300 PSI
56892455	Pressure gauge	0-400 PSI
56892460	Pressure gauge	0-600 PSI
56892465	Pressure gauge	0-1000 PSI

VACUUM GAUGES

For indicating vacuum on vacuum pumps, vacuum return lines and vacuum processing equipment. Indicates vacuum from 0-30 in. of mercury.

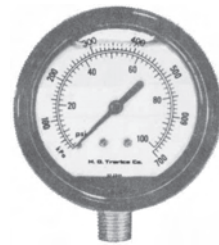
PART #	DESCRIPTION	RANGE
2-1/2" DIAL 1/4" BOTTOM MOUNT		
56892015	Vacuum gauge	0-30 In. Hg.
2-1/2" DIAL 1/4" CENT. BACK MT.		
56893015	Vacuum gauge	0-30 In. Hg.



LIQUID FILLED PRESSURE GAUGES

For installations where vibration is a problem. Use on any pressure medium that does not attack brass.

PART #	DESCRIPTION	RANGE
2-1/2" DIAL 1/4" BOTTOM MOUNT		
56892625	Pressure gauge	0-30 PSI
56892630	Pressure gauge	0-60 PSI
56892635	Pressure gauge	0-100 PSI
56022650	Pressure gauge	0-300 PSI
56022655	Pressure gauge	0-400 PSI



COMPOUND PRESSURE & VACUUM GAUGES

For installations requiring indication of either a pressure or a vacuum. Use on any pressure medium that does not attack brass.

PART #	DESCRIPTION	RANGE
56892070	2-1/2" 1/4 B.M.	30-0-15
56892072	2-1/2" 1/4 B.M.	30-0-30
56892380	3-1/2" 1/4 B.M.	30-0-300
56892076	4-1/2" 1/4 B.M.	30-0-100



WATER PRESSURE TEST GAUGE

Hose connecting pressure gauge with high pressure indicator hand used to test water pressure within a building. 3/4" H.T. connection. 0-300 PSI

PART # 40110153



**TOTAL
MAINTENANCE
SOLUTIONS**

HOUSTON
800/392-5066

ORLANDO
800/327-3022

GREENVILLE
800/476-2212

LOOK FOR US ON THE WEB AT: www.TMSSouth.com

HEATING & HYDRONICS

TRIPLE INDICATOR GAUGES PRESSURE/TEMP/ALTITUDE

Ranges: 0-60 PSI, 60 to 260°F, 0-6 FT.
Used on boilers to indicate the operating conditions existing within hot water heating systems.



PART #	DESCRIPTION	SIZE
56005054	1/2" lower Bk. Mt.	3-1/2" sq. dial
56005056	1/2" bottom mount	3-1/2" sq. dial

COIL SYPHONS

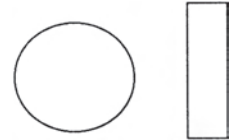
Coil syphons are used on steam service to form a pocket of water between the gauge and steam. This prevents steam from reaching the bourdon tube of the gauge.

PART #	DESCRIPTION
56898851	180 degree sch. 40 steel, 1/4"-18 ends.



REPLACEMENT LENS GLASS

PART #	DESCRIPTION
59002500	2-1/2" diameter
59003500	3-1/2" diameter
59004500	4-1/2" diameter
59009000	9" industrial thermometer

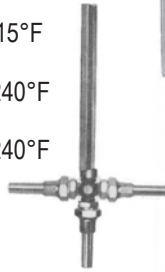


INDUSTRIAL THERMOMETERS

Industrial mercury in glass thermometers. Available in adjustable angle or rigid type with case sizes of 7", 9" and 12". Ranges up to 550°F. Specify the following when ordering: Adj. or Rigid, case size, stem length and scale range.



PART #	DESCRIPTION	RANGE
56895020	3-1/2" stem, 9" case Adjustable angle	0-100°F
56895022	3-1/2" stem, 9" case Adjustable angle	0-160°F
56894024	3-1/2" stem, 7" case Adjustable angle	30-240°F
56895032	6" stem, 9" case Adjustable angle	0-115°F
56895030	6" stem, 9" case Adjustable angle	30-240°F
56895024	3-1/2" stem, 9" case	30-240°F



NEEDLE VALVE

PART #	DESCRIPTION
80100143	1/4" Brass needle valve with Teflon packing.



GAUGE COCKS

Since there is no packing gland to prevent leakage, care must be taken in the application of these cocks on service where leakage might create damage.

PART #	DESCRIPTION
57205505	1/4" female thread
80100031	1/4" female thread



THERMOWELLS (SOCKETS)

Sockets are available in 3-1/2", 6", 8" and 12" lengths. Sockets also come in brass, steel, and stainless steel (304 & 316). When ordering specify length and material.

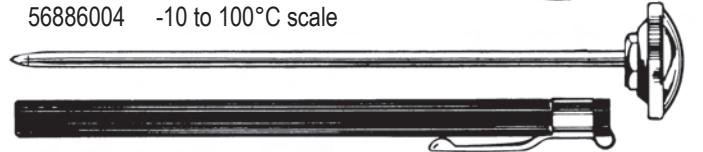


PART #	DESCRIPTION
56897002	3-1/2" brass socket
56897003	3-1/2" brass socket with cap and chain
56897004	6" brass socket

POCKET THERMOMETER

1" dial with 5" stem and unbreakable polycarbonate crystal. Normal accuracy of + 2°F.

PART #	DESCRIPTION
80100142	0 to 220°F scale
56886002	50 to 550°F scale
56886004	-10 to 100°C scale



SNUBBERS (BRONZE BODY & CORE)

Pressure snubbers are installed on a gauge to prevent wear on the movement and reduce shock to the gauge.

PART #	SIZE	SERVICE
56898722	1/4"	Gasoline, light oils, air & gas



GAUGE GLASS GASKETS

PART #	TRADE	SIZE	I.D.	O.D.	THICK.
41580880	1/2RGG	7/16"	7/16"	11/16"	5/16"
41580881	5/8RGG	9/16"	9/16"	13/16"	5/16"
41580882	3/4RGG	11/16"	11/16"	15/16"	5/16"
41580883	5/8SGG	5/8"	5/8"	1-1/8"	1/4"
41580884	3/4SGG	3/4"	3/4"	1-1/4"	1/4"



**TOTAL
MAINTENANCE
SOLUTIONS**

HOUSTON
800/392-5066

ORLANDO
800/327-3022

GREENVILLE
800/476-2212

LOOK FOR US ON THE WEB AT: www.TMSSouth.com

HEATING & HYDRONICS

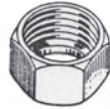
PYREX HIGH PRESSURE GAUGE GLASS

PART #	SIZE	LENGTH	TYPE
56055812	5/8"	12"	Red Line
56055815	5/8"	15"	Red Line
56055818	5/8"	18"	Red Line
56055824	5/8"	24"	Red Line
56055828	5/8"	28-1/2"	Red Line
56055830	5/8"	30"	Red Line
56055836	5/8"	36"	Red Line
56055848	5/8"	48"	Red Line
56053410	3/4"	10"	Red Line
56053412	3/4"	12"	Red Line
56053414	3/4"	14"	Red Line
56053416	3/4"	16"	Red Line
56053418	3/4"	18"	Red Line
56053420	3/4"	20"	Red Line
56053424	3/4"	24"	Red Line
56053430	3/4"	30"	Red Line
56053436	3/4"	36"	Red Line



WATER GAUGE LOCKNUTS – BRASS

PART #	SIZE
56201058	5/8"
56201075	3/4"



GAUGE GLASS FRICTION RINGS

PART #	I.D.	O.D.
44728006	29/64"	21/32"
44728018	11/16"	13/16"



FIBERGLASS HANDHOLE GASKETS

All gaskets are reinforced Fiberglass 4-ply, 1/4" thickness, Oval.

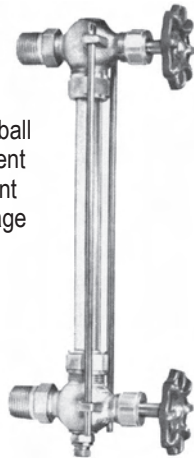
PART #	I.D.	I.D.	WIDTH	TYPE
41051010	2"	3"	1/2"	Handhole
41051012	2"	3-1/2"	1/2"	Handhole
41051014	2-1/2"	3"	1/2"	Handhole
41051016	2-1/2"	3"	5/8"	Handhole
41051018	2-1/2"	3-1/2"	1/2"	Handhole
41051020	2-1/2"	3-1/2"	1/2"	Handhole
41051022	2-1/2"	4"	1/2"	Handhole
41051024	3"	3-1/2"	1/2"	Handhole
41051026	3"	4"	1/2"	Handhole
41051028	3"	4"	5/8"	Handhole
41051030	3"	4"	3/4"	Handhole
41051032	3"	4-1/2"	1/2"	Handhole
41051034	3"	4-1/2"	5/8"	Handhole
41051036	3"	5"	5/8"	Handhole
41051038	3-1/2"	4"	1/2"	Handhole
41051040	3-1/2"	4"	5/8"	Handhole
41051042	3-1/2"	4-1/2"	1/2"	Handhole
41051044	3-1/2"	4-1/2"	5/8"	Handhole
41051046	3-1/2"	4-1/2"	3/4"	Handhole
41051048	3-1/2"	5"	5/8"	Handhole
41051050	3-1/2"	5-1/2"	5/8"	Handhole
41051052	4"	5"	5/8"	Handhole
41051054	4"	5"	3/4"	Handhole
41051056	4"	5-1/2"	3/4"	Handhole
41051058	4"	6"	5/8"	Handhole
41051060	4"	6"	3/4"	Handhole
41051062	4-1/2"	6-1/2"	3/4"	Handhole
41051064	6"	8"	1"	Handhole



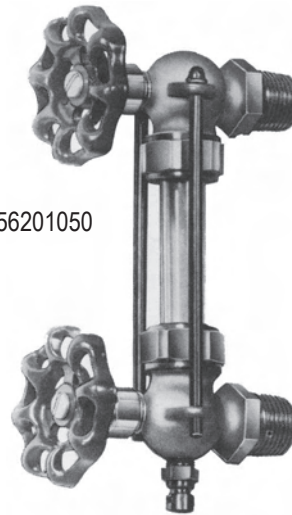
ROUGH BRASS WATER GAUGES

PART #	PIPE SIZE	GLASS SIZE	SERVICE RATING
56201050	1/2"	5/8"x 12"	125 psi @ 350 F-300 psi @ 100°F
56201500	1/2"	5/8"x 12"	125 psi @ 350 F-300 psi @ 100°F
56202050	1/2"	5/8"x 12"	200 pai @ 400 F-400 psi @ 100°F

56201500
Equipped with ball checks to prevent scalding in event of glass breakage



56201050



56202050



**TOTAL
MAINTENANCE
SOLUTIONS**

HOUSTON
800/392-5066

ORLANDO
800/327-3022

GREENVILLE
800/476-2212

LOOK FOR US ON THE WEB AT: www.TMSSouth.com

HEATING & HYDRONICS

FIBERGLASS MANHOLE GASKETS

All gaskets are reinforced Fiberglass 4-ply, 1/4" thickness, Oval.



PART #	I.D.	I.D.	WIDTH	TYPE
41052010	10"	14"	1"	Manhole
41052012	10"	14"	1-1/4"	Manhole
41052014	10"	15"	1"	Manhole
41052016	10"	15"	1-1/4"	Manhole
41052018	10-1/2"	14-1/2"	1-1/4"	Manhole
41052020	10-1/2"	15"	1"	Manhole
41052022	10-1/2"	15"	1-1/4"	Manhole
41052024	11"	14"	1-1/4"	Manhole
41052026	11"	14-1/2"	1-1/4"	Manhole
41052028	11"	15"	1"	Manhole
41052030	11"	15"	1-1/4"	Manhole
41052032	12"	15"	1"	Manhole
41052034	12"	15"	1-1/4"	Manhole
41052036	12"	16"	1"	Manhole
41052038	12"	16"	1-1/4"	Manhole

MOLDED RUBBER HANDHOLE AND MANWAY GASKETS

E.P.D.M. Black Rubber Handhole and Manway gaskets. A high quality gasket that has excellent resistance to steam, heat aging, ozone, acids and alkalis. Smooth finish. All gaskets are 1/4" thick.



ELLIPTICAL



OBLONG

PART #	I.D.	I.D.	WIDTH	TYPE
41101008	2-1/2"	3-1/2"	1/2"	Handhole
41101020	2-7/8"	3-7/8"	1/2"	Handhole
41101024	3"	4"	1/2"	Handhole
41101046	3-1/2"	4-1/2"	5/8"	Handhole
41101060	4"	6"	3/4"	Handhole
41101066	4-1/2"	5-1/2"	5/8"	Handhole
41101078	10-1/2"	14-1/2"	1-3/8"	Manway
41101086	11"	15"	1-1/4"	Manway
41101090	11"	15"	1-3/8"	Manway
41101096	12"	16"	1-1/4"	Manway

PART #	I.D.	I.D.	WIDTH	TYPE
41102008	3"	4"	1/2"	Handhole
41102010	3"	4-1/2"	9/16"	Handhole
41102012	3-1/2"	4-1/2"	9/16"	Handhole
41102022	11"	15"	1-1/4"	Manway
41102024	11"	15"	1-1/2"	Manway

SELF-TAPPING REPAIR PLUGS

Hardened steel. Bright plated. Neoprene washer. For repair of leaks in boilers, tanks, pipes, etc.



PART #	SIZE
60165001	1/4"
60165002	5/16"
60165003	3/8"
60165004	7/16"
60165005	1/2"

TOGGLE TYPE REPAIR PLUG

For 3/8" hole or larger. Compress spring & insert toggle bar. Tightening nut compresses rubber washer against outer surface for a tight seal.



PART # 60041000

GAUGE GLASS CUTTERS

PART #	DESCRIPTION
64009012	For 1/4" thru 3/4" O.D. gauge glass, laboratory glass & porcelain.
64163871	Heavy duty gauge glass cutter with carbide wheel. Has sliding rule for exact cutting.
64163872	Replacement wheel for gauge cutter.

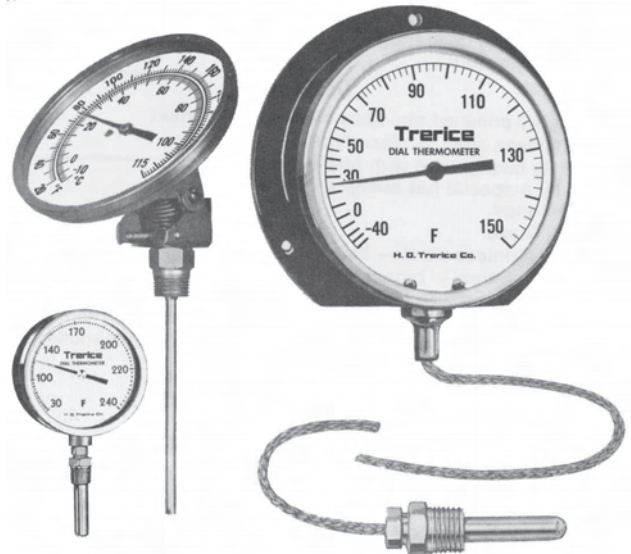


64009012



64163871

A COMPLETE LINE OF INDUSTRIAL GAUGES AND THERMOMETERS IS AVAILABLE



HOUSTON
800/392-5066

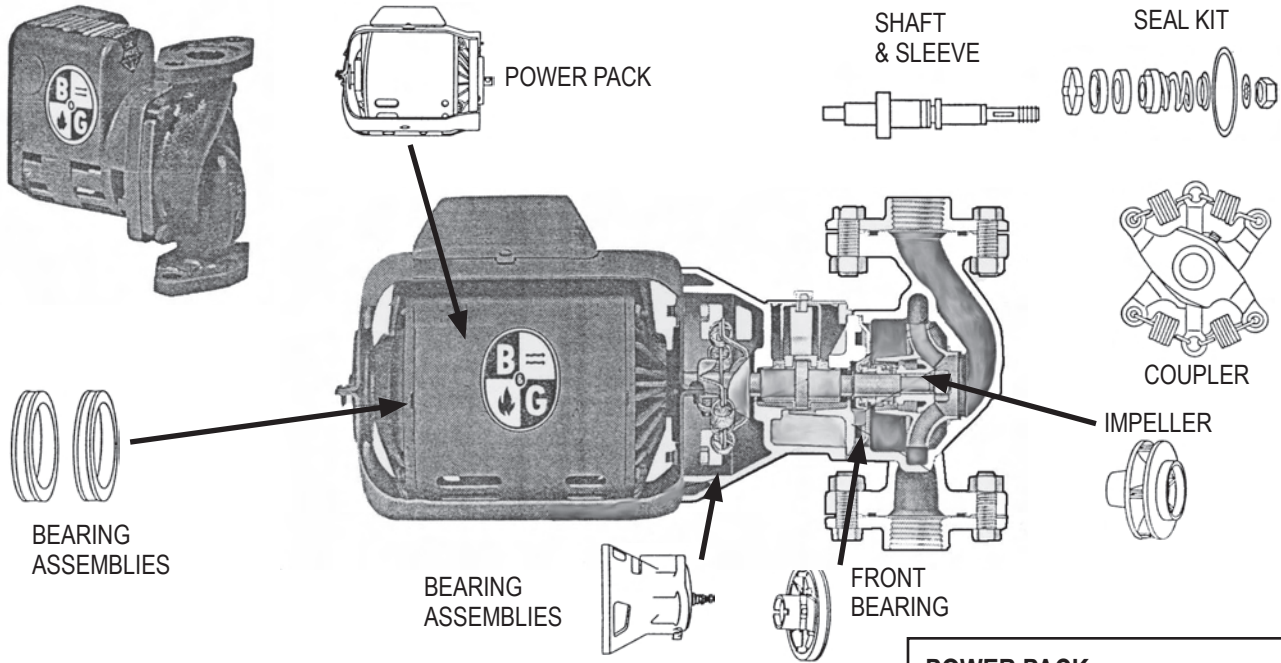
ORLANDO
800/327-3022

GREENVILLE
800/476-2212

LOOK FOR US ON THE WEB AT: www.TMSSouth.com

HEATING & HYDRONICS

B&G BOOSTER AND LITTLE RED PARTS SELECTOR



DATE OF MANUFACTURE CODE

FIRST DIGIT (MONTH)		SECOND DIGIT (YEAR)				
1946-1960		1961-1987	G 1946	V 1957	G 1967	V1978
1	January	A	H 1947	W 1958	H 1968	W1979
2	February	B	J 1948	X 1959	J 1969	X1980
3	March	C	K 1949	Y 1960	K 1970	Y1981
4	April	D	L 1950	—	L 1971	Z1982
5	May	E	M1951	A1961	M 1972	—
6	June	F	N 1952	B 1962	N 1973	38 1983
7	July	G	P 1953	C 1963	P 1974	48 1984
8	August	H	R 1954	D 1964	R 1975	58 1985
9	September	J	T 1955	E 1965	T 1976	68 1986
10	October	K	U 1956	F 1966	U 1977	78 1987
11	November	L				
12	December	M				

POWER PACK

MODEL #	SINGLE PHASE 115V PUMP PART #	POWER PACK PART #
Series 100 (#75, #100, #1250, #150)	All	80100006
1", 1-1/4", 1-1/2", 2"		
1" to 1-1/2" HV, 1"PR	All	62680363
2-1/2" LD3"	All	80100007
HD 3"	All	62681042
INTERMEDIATE STYLE		
1-1/2" 1B	102033	62681061
1-1/2" B1	102034	62681061
1-1/2" AB	102036	62681061
HV 1B	102308	62681061
HV B1	102309	62681061
HVAB	102311	62681061
NEW STYLE		
HV 1B	102210	62681061
HV BNFI	102213	62681061
2" 1B	102214	62681061
2" BNFI	102217	62681061

SHAFT & SLEEVE

MODEL #	PART #
#75, 100, 125, 150	80100144
1", 1-1/4", 1-1/2", 2"	80100144
1"HV, 1-1/4"HV, 1-1/2"HV	80100144
1"PR, 2-1/2", LD-3", HD-3"	80100144
INTERMEDIATE STYLE	
1-1/2"1B, 1-1/2"B1, 1-1/2"AB	
HV1B, HVB1, HVAB	80100144
NEW STYLE	
HV1B, HVBNFI	
2"1B, 2"BNFI	80100144

SEAL KIT

MODEL #	PART #
# 75,100,125,150	80100145
1", 1-1/4", 1-1/2", 2"	80100145
(1", 1-1/4", 1-1/2")HV	80100145
1"PR, 2-1/2"LD-3, HD-3"	80100145
INTERMEDIATE STYLE	
1-1/2"1B, 1-1/2"B1, 1-1/2"AB	
HV1B, HVB1, HVAB	80100145
NEW STYLE	
HV1B, HVBNFI, 2"1B, 2"BNFI	80100145
LR-20, LR-20B	62689141

MOTOR MOUNTS

POWER PACK PART #	MOTOR MOUNT SET PART #
80100006	80100146
62680363	62681174
80100007	62681174
62681042	62688228
62681061	80100146



TOTAL MAINTENANCE SOLUTIONS

HOUSTON
800/392-5066

ORLANDO
800/327-3022

GREENVILLE
800/476-2212

LOOK FOR US ON THE WEB AT: www.TMSSouth.com

HEATING & HYDRONICS

B&G BOOSTER AND LITTLE RED PARTS SELECTOR (CONTINUED)

BEARING ASSEMBLIES							
MODEL #	SINGLE PHASE PUMP 115V PART #	PUMP DATE CODE		IRON BODY		BRONZE BODY	
		FROM	TO	STANDARD IMPELLER	BRASS IMPELLER	BRASS IMPELLER	NON-FER. IMPELLER
Series 100 (#75 #100,#125,#150)	All	-	-	80100000	80100000	80100001	-
1" & 1-1/4"	All	-	-	62682622	62682622	62689104	-
Series 1-1/2" Old Style	102037	7L	AT	62682622	-	-	-
	102040	7L	AT	-	62682622	-	-
	102039	7L	HR	-	-	80100128	-
Series 1-1/2" Intermediate	102033	BT	JT	62682624	-	-	-
	102034	BT	JT	-	62682624	-	-
	102036	JR	DT	-	-	62689131	-
Series 2" Old Style	102049	7L	FT	62682622	-	-	-
	102052	7L	FT	-	62689102	-	-
	102051	7L	GT	-	-	80100128	-
Series 2" New Style	102214	GT	-	62682624	-	-	-
Series HV	102217	GT	-	-	-	-	62682625
Series HV Old Style	102304	7L	HR	62682622	-	-	-
	102305	7L	HR	-	62689102	-	-
	102307	7L	JR	-	-	80100128	-
Series HV Intermediate	102308	JR	MR	80100001	-	-	-
	102309	JR	MR	-	-	-	-
	102311	KR	DT	-	-	62689131	-
Series HV New Style	102210	AT	-	62682624	-	-	-
Series 1" PR 2-1/2" 3" LD 3"HD	102213	DT	-	-	-	-	62682625
	All	-	-	80100002	80100002	62682627	-

COUPLERS

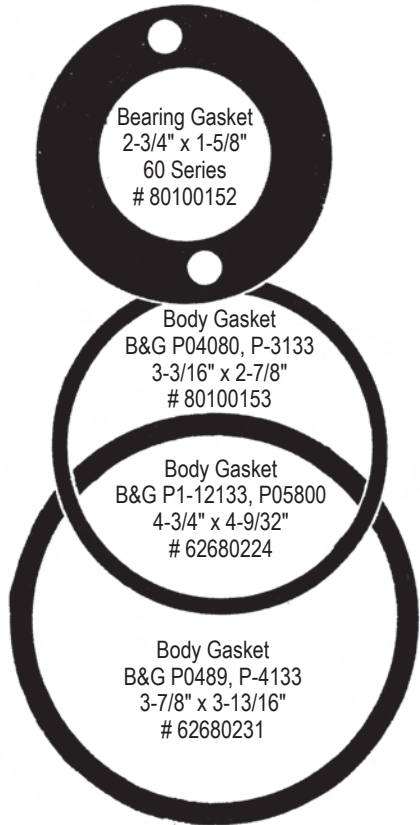
MODEL #	PART #
# 75,100,125,150	80100051
1", 1-1/4",1-1/2",2"	80100051
1"HV, 1-1/4" & 1-1/2"HV	80100051
1"PR	80100051
2-1/2", LD-3", HD-3"	80100048
INTERMEDIATE STYLE	
1-1/2"IB, 1-1/2"BI, HVAB	
1-1/2"AB, HVIB, HVBI	80100051
NEW STYLE	
HVIB, HVBNFI	
2"IB, 2"BNFI	80100051

HEAVY DUTY OIL WICK. SET OF 2

PART #
80100151



IMPELLER							
MODEL #	SINGLE PHASE PUMP 115V PART #	PUMP DATE CODE		IRON BODY		BRONZE BODY	
		FROM	TO	STANDARD IMPELLER	BRASS IMPELLER	BRASS IMPELLER	NON-FER. IMPELLER
Series 100 (#75 #100,#125,#150)	All	-	-	80100011	80100012	80100012	80100011
1"	All	-	-	62688665	62688434	62687972	-
1-1/4"	All	-	-	62687960	80100009	62687972	-
Series 1-1/2" Old Style	102037	7L	AT	62687960	-	-	-
	102040	7L	AT	-	80100009	-	-
	102039	7L	HR	-	-	62687972	-
Series 1-1/2" Intermediate	102033	BT	JT	62687960	-	-	-
	102034	BT	JT	-	80100009	-	-
	102036	JR	DT	-	-	62687972	-
Series 2" Old Style	102049	7L	FT	62688668	-	-	-
	102052	7L	FT	-	62687972	-	-
	102051	7L	GT	-	-	62687972	-
Series 2" New Style	102214	GT	-	80100008	-	-	62687792
Series HV	102217	GT	-	-	-	-	80100008
Series HV Old Style	102304	7L	HR	62688668	-	-	-
	102305	7L	HR	-	62687972	-	-
	102307	7L	JR	-	-	62687972	-
Series HV Intermediate	102308	JR	-	62688668	-	-	-
	102309	JR	MR	-	62687972	-	-
	102311	KR	DT	-	-	62687972	-
Series HV New Style	102210	AT	-	80100008	-	-	62687792
Series 1PR	102213	DT	-	-	-	-	80100008
2-1/2" LD3"	All	-	-	62688830	62688612	62688612	-
3" HD	All	-	-	62688676	62688440	62688440	-
	All	-	-	62688675	62688439	62688439	-
LR-20	All	D38	-	62685627	62686500	-	62685627
LR-20B	All	D38	-	62685627	62685601	-	62685627



TOTAL MAINTENANCE SOLUTIONS

HOUSTON
800/392-5066

ORLANDO
800/327-3022

GREENVILLE
800/476-2212

LOOK FOR US ON THE WEB AT: www.TMSSouth.com

HEATING & HYDRONICS

**B&G BOOSTER AND LITTLE RED PARTS SELECTOR (CONTINUED)
FRONT BEARING**

MODEL #	SINGLE PHASE PUMP 115V PART #	PUMP DATE CODE		IRON BODY		BRONZE BODY	
		FROM	TO	STANDARD IMPELLER	BRASS IMPELLER	BRASS IMPELLER	NON-FER. IMPELLER
Series 100 (#75 #100,#125,#150) 1" & 1-1/4"	All	-	-	80100154	80100154	80100155	-
	All	-	-	62689072	62689072	-	-
Series 1-1/2" Old Style	102037	7L	AT	62689072	-	-	-
	102040	7L	AT	-	62689072	-	-
	102039	7L	HR	-	-	62689075	-
Series 1-1/2" Intermediate	102033	BT	JT	62689072	-	-	-
	102034	BT	JT	-	62689072	-	-
	102036	JR	DT	-	-	62689075	-
Series 2" Old Style	102049	7L	FT	62689073	-	-	-
	102052	7L	FT	-	62689074	-	-
	102051	7L	GT	-	-	62689075	-
Series 2" New Style	102214	GT	-	62689072	N/A	-	-
	102217	GT	-	-	-	-	62689076
Series HV Old Style	102304	7L	HR	62689073	-	-	-
	102305	7L	HR	-	62689074	-	-
	102307	7L	JR	-	-	62689075	-
Series HV Intermediate	102308	JR	MR	62689073	-	-	-
	102309	JR	MR	-	-	-	-
	102311	KR	DT	-	-	62689075	-
Series HV New Style	102210	AT	-	62689072	-	-	-
	102213	DT	-	-	-	-	62689076
Series 1" PR 2-1/2" 3" LD 3"HD	All	-	-	62687085	62687085	62687085	-

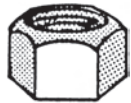
**HYDRONIC
CIRCULATOR
OIL**

1.5 Fl.
oz. tube.
Specially
blended for
hydronic
circulators &
motors.
Fights rust,
corrosion
and friction.
62371220



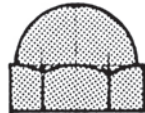
COUPLER SET SCREW

B&G P-453, P01800
62680451



SHAFT NUT

B&G P-4123, P04670
80100156



SHAFT CAP NUT

B&G P-4123, P04670
62680859



SHAFT KEY

B&G P-4138, P04940
62680519



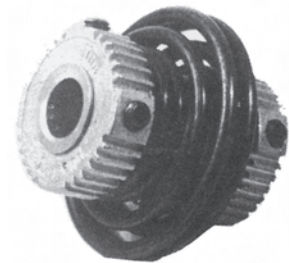
LOCK WASHER

B&G P-4122, P04650
62680511

SPIRALINK COUPLERS

(FOR B&G AND ARMSTRONG BOOSTERS & IN-LINE PUMPS, TACO SERIES 121-138)
Unitized construction eliminates all friction/wear points common to OEM couplers. Spiral spring provides universal flexibility and compensates for any degree of shaft misalignment. Absorbs starting torque and reduces load on bearings and seals.

PART #	DESCRIPTION	REPLACES B&G #	REPLACES ARMSTRONG #	SHAFT ROT. CCW
80100032	1/2" x 1/2" up to 1/3 HP	118705,118473 189110	806026-001	806168-001
80100034	1/2" x 1/2" or 1/2" x 5/8" 1/2 to 3/4 HP	118473,118709 118708,P77234	807436-000	CW 806137-000
80100035	1/2" x 5/8" or 5/8" x 5/8" 3/4" & 1HP	P77271,186410 P77237,118476	812734-000	CW 816665-000
PART # 62370045	DESCRIPTION 1/2" x 1/2" or 1/2"x 5/8" or 5/8" x 5/8"	REPLACES TACO 1624-053RP (Woods 3J or 4J)	SHAFT ROT. CW	



**TOTAL
MAINTENANCE
SOLUTIONS**

HOUSTON
800/392-5066

ORLANDO
800/327-3022

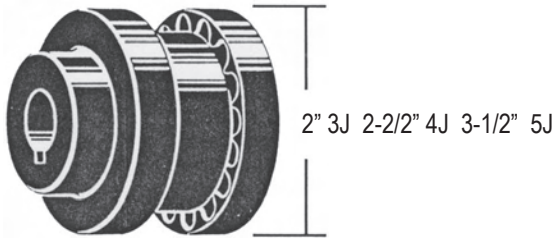
GREENVILLE
800/476-2212

LOOK FOR US ON THE WEB AT: www.TMSSouth.com

HEATING & HYDRONICS

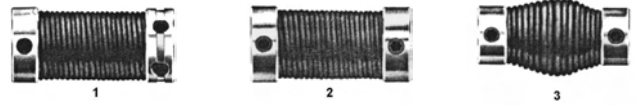
WOODS COUPLERS WITH JES INSERT

PART #	DESCRIPTION
62683050	3 J coupler 1/2" x 1/2" with JES insert
62683058	3 J coupler 5/8" x 5/8" with JES insert
62683055	3 J coupler 1/2" x 5/8" with JES insert
62684050	4 J coupler 1/2" x 1/2" with JES insert
62684058	4 J coupler 5/8" x 5/8" with JES insert
62684055	4 J coupler 1/2" x 5/8" with JES insert
62685050	5 J coupler 1/2" x 1/2" with JES insert
62685058	5 J coupler 5/8" x 5/8" with JES insert
62685055	5 J coupler 1/2" x 5/8" with JES insert



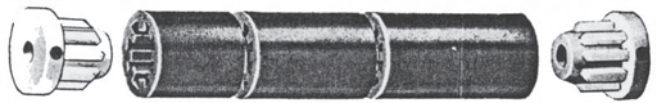
SPRING COUPLERS

ITEM	PART #	DESCRIPTION
1	62680883	1/2" x 3/8" Bore
2	62680531	1/2" x 1/2" Bore x 2" long
3	62680510	1/2" x 7/16" Bore x 1-3/4" long



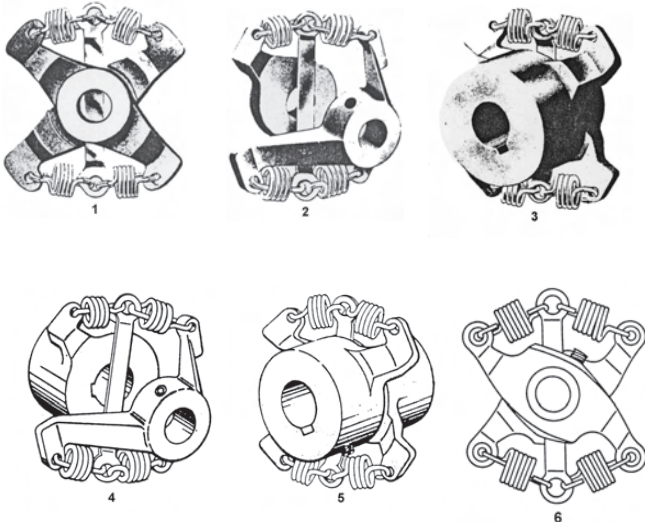
SPLINE COUPLERS

PART #	DESCRIPTION
62685071	Neoprene sleeve 7" long
62685072	5/16" Bore end fitting-die cast
62685073	7/16" Bore end fitting-die cast
62685074	1/2" Bore end fitting -die cast



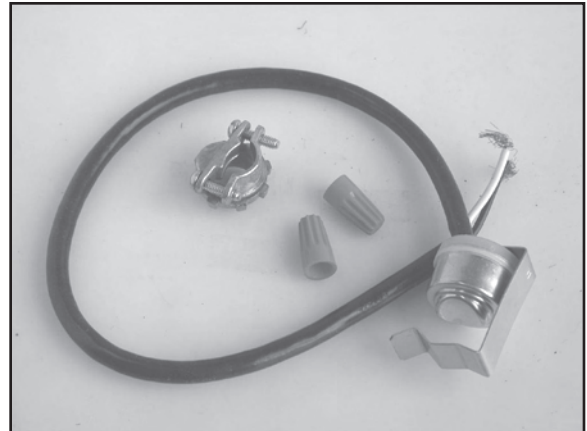
BELL & GOSSETT COUPLERS

ITEM	PART #	DESCRIPTION	B&G #
1	80100048	1/2" x 1/2" 1/4-1/3 HP motors	118723
	62688705	1/2" x 1/2" 1/12-1/6 HP motors	118705
2	80100052	1/2" x 1/2" Yoke	118705
3	80100050	1/2" x 5/8" Keyway	118473
4	62686410	5/8" Keyway x 1/2" Yoke	186410
5	62688794	1/2" x 1/2" 1/12 & 1/6 HP motors	189110
6	80100051	1/2" x 1/2" 1/12 & 1/6 HP motors	189110
NOT SHOWN	62688708	3/4" Keyway x 1/2" Yoke	118708



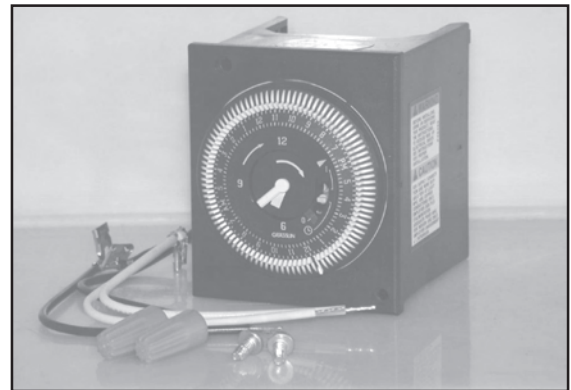
BELL AND GOSSETT AQS-3/4 AQUASTAT

PART # 62683224



BELL AND GOSSETT TC-1 AUTO TIMER KIT

PART # 62683210



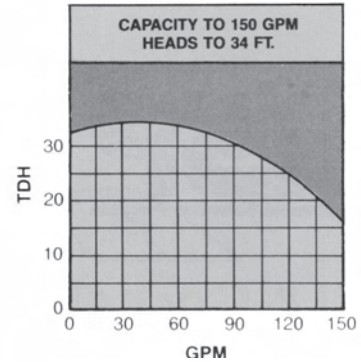
HEATING & HYDRONICS

B & G BOOSTER PUMPS

In-line mounted with oil lubricated sleeve bearings in pump and motor; sizes 3/4" to 3", 1/12 HP to 1-1/2" HP at 1750 RPM; Iron or Bronze construction. For use in hydronic systems.

TMS PART #	B & G PART #	DESCRIPTION
80100016	106189	Model 100NFI, 1/12 HP, Iron Body.
80100017	106197	Model 100BNFI, 1/12 HP, Bronze Body.

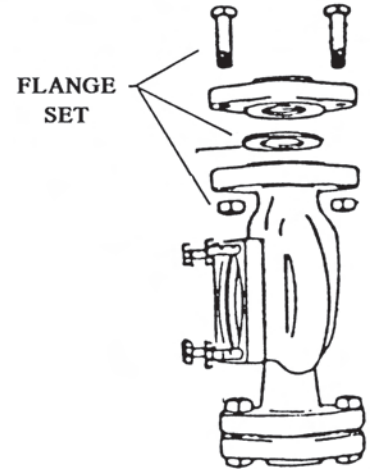
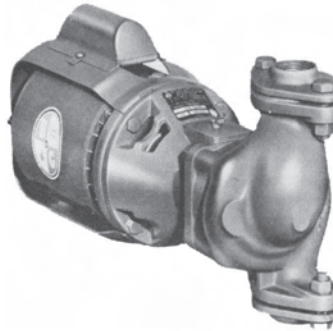
SERIES 100



B & G FLANGES FOR SERIES 100

Flange set includes 2 flanges, gaskets and 4 nuts & bolts.

TMS PART #	B & G PART #	DESCRIPTION
62501001	101001	3/4" Iron flange set
62501011	101011	3/4" Bronze flange set
62501002	101002	1" Iron flange set
62501012	101012	1" Bronze flange set
62501003	101003	1-1/4" Iron flange set
62501013	101013	1-1/4" Bronze flange set
62501004	101004	1-1/2" Iron flange set
62501014	101014	1-1/2" Bronze flange set



GRUNDFOS CIRCULATORS

Grundfos circulators are single-stage, direct drive centrifugal pumps designed for domestic and light commercial applications in open and closed systems. These pumps can be operated up to system pressures of 145 psi with maximum fluid temperatures of 230°F.

FEATURES OF THE BRUTE:

- Stainless steel – fitted quality.
- Self-lubricating.
- Quiet, maintenance free operations.
- Lip-sealed rotor chamber – minimizes penetration of dirty water.



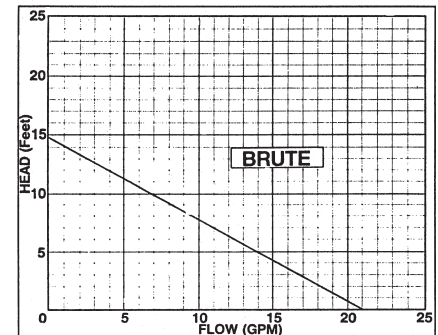
CLOSED SYSTEM CIRCULATORS

TMS PART #	GRUNDFOS PART #	DESCRIPTION
80100088	UP15-42F	1/25 HP, 115V, 2475 RPM.
80100092	UP26-96F	1/12 HP, High Head, 115V, 2450 RPM.

OPEN SYSTEM CIRCULATORS

TMS PART #	GRUNDFOS PART #	DESCRIPTION
80100010	UP15-42SF	1/22 HP, 115V, 2590 RPM.
80100093	UP26-96BF	1/12 HP, 115V, 2450 RPM.

Performance Curve



TOTAL MAINTENANCE SOLUTIONS

HOUSTON
800/392-5066

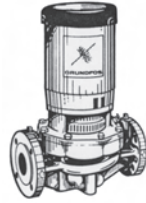
ORLANDO
800/327-3022

GREENVILLE
800/476-2212

LOOK FOR US ON THE WEB AT: www.TMSSouth.com

HEATING & HYDRONICS

UMT/UPT
DIRECT-COUPLED
IN-LINE CIRCULATORS



GRUNDFOS
SERVICE KITS

**SHAFT SEAL & GASKET KIT FOR UMT/UPT
(ALL MODELS)**

PART # 62095273

#	REQ'D.	ITEM	PART #
1	1	Upper seal ring for models B & C	98.52 75
1	1	Upper seal ring for model A	98.52 10
1	1	O-Ring EPDM 21.3x3.0 mdle B&C	ID.17 98
1	1	O-Ring EPDM 24.2x3.0 for mdle A	ID.17 86
1	1	Lower seal ring	98.52 23
1	1	O-Ring EPDM 16.0x4.5	ID.17 85
1	1	Spring Retainer	98.02 06
1	1	Spring	98.02 07
1	1	Upper Driver	98.02 55
1	1	Sealing Disk	48.00 17
1	1	Split Cone	48.00 19
1	1	Gaskets for models A & B	56.00 63
1	1	O-Ring EPDM 155x4.0	ID.20 38
1	1	O-Ring EPDM 111x4.0	ID.21 66

REPAIR KIT FOR UMT50-40 & UPT65-160

PART # 62095036

#	REQ'D.	ITEM	PART #
1	1	Shaft Seal & Gasket kit	62095273
1	1	Impeller A	54.50 27
1	1	Impeller neck ring	54.00 81
1	1	Split cone nut	56.02 44
1	1	Shaft	48.00 18
1	1	Distribution cup	48.00 20
1	1	Shaft pin	31.01 92
4	4	Coupling screw, allen M6x20	ID.08 91
4	4	Coupling screw, allen M8x25	ID.09 92

REPAIR KIT FOR UMT40-120 & UPT50-160

PART # 62095038

#	REQ'D.	ITEM	PART #
1	1	Shaft Seal & Gasket kit	62095273
1	1	Impeller G	54.50 42
1	1	Impeller neck ring	54.03 12
1	1	Split cone nut	56.02 44
1	1	Shaft	48.00 18
1	1	Distribution cup	48.00 20
1	1	Shaft pin	31.01 92
4	4	Coupling screw, allen M6x20	ID.08 91

**REPAIR KIT FOR UMT50-30 & UPT65-40, UPT65-120
& UPT80-160**

PART # 62095039

#	REQ'D.	ITEM	PART #
1	1	Shaft Seal & Gasket kit	62095273
1	1	Impeller M	55.50 14
1	1	Impeller neck ring	55.00 43
1	1	Split cone nut	56.02 44
1	1	Shaft	48.00 18
1	1	Distribution cup	48.00 20
1	1	Shaft pin	31.01 92
4	4	Coupling screw, allen M6x20	ID.08 91
4	4	Coupling screw, allen M8x25	ID.09 92

REPAIR KIT FOR UMT50-60 & UPT65-80

PART # 62095040

#	REQ'D.	ITEM	PART #
1	1	Shaft Seal & Gasket kit	62095273
1	1	Impeller G	54.50 26
1	1	Impeller neck ring	54.00 81
1	1	Split cone nut	56.02 44
1	1	Shaft	48.00 18
1	1	Distribution cup	48.00 20
1	1	Shaft pin	31.01 92
4	4	Coupling screw, allen M6x20	ID.08 91

REPAIR KIT FOR UMT65-30, UPT80-40, AND UPT80-120

PART # 62095041

#	REQ'D.	ITEM	PART #
1	1	Shaft Seal & Gasket kit	62095273
1	1	Impeller N	54.50 42
1	1	Impeller neck ring	54.03 12
1	1	Split cone nut	56.02 44
1	1	Shaft	48.00 18
1	1	Distribution cup	48.00 20
1	1	Shaft pin	31.01 92
4	4	Coupling screw, allen M6x20	ID.08 91
4	4	Coupling screw, allen M8x25	ID.09 92

REPAIR KIT FOR UMT65-60 & UPT80-80

PART # 62095042

#	REQ'D.	ITEM	PART #
1	1	Shaft Seal & Gasket kit	62095273
1	1	Impeller J	55.50 13
1	1	Impeller neck ring	55.00 43
1	1	Split cone nut	56.02 44
1	1	Shaft	48.00 18
1	1	Distribution cup	48.00 20
1	1	Shaft pin	31.01 92
4	4	Coupling screw, allen M6x20	ID.08 91

REPAIR KIT FOR UMT50-80C

PART # 62095048

#	REQ'D.	ITEM	PART #
1	1	Shaft Seal & Gasket kit	62095273
1	1	Impeller P	54.50 45
1	1	Impeller neck ring	54.00 81
1	1	Split cone nut	56.02 44
1	1	Shaft	48.00 18
1	1	Distribution cup	48.00 20
1	1	Shaft pin	31.01 92
4	4	Coupling screw, allen M6x20	ID.08 91



**TOTAL
MAINTENANCE
SOLUTIONS**

HOUSTON
800/392-5066

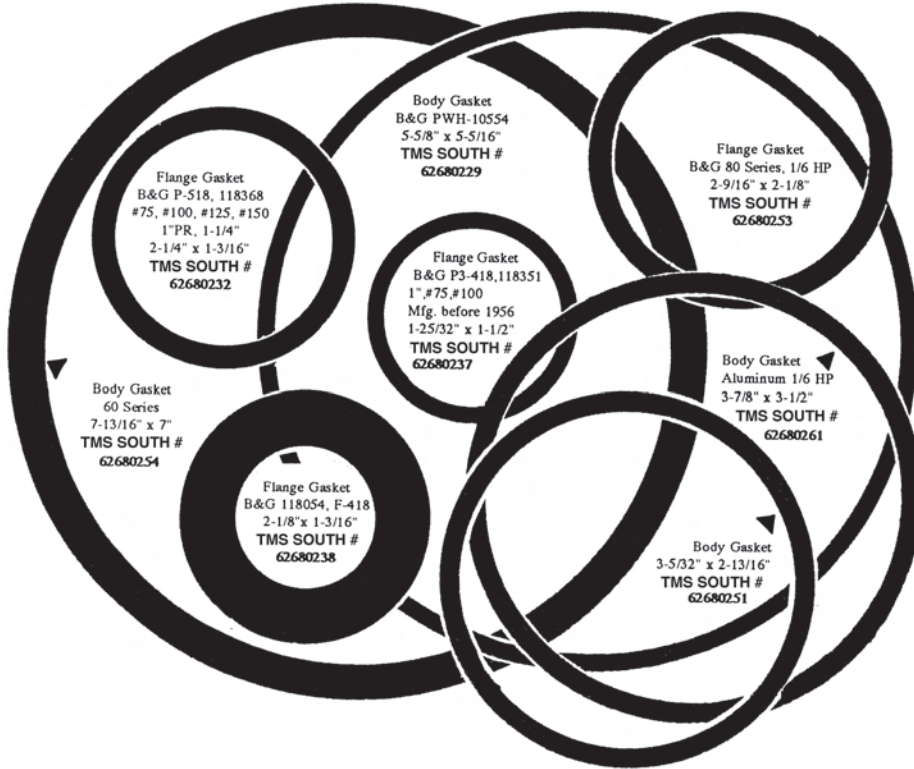
ORLANDO
800/327-3022

GREENVILLE
800/476-2212

LOOK FOR US ON THE WEB AT: www.TMSSouth.com

HEATING & HYDRONICS

B&G GASKETS



Flange Gasket
B&G P-518, 118368
#75, #100, #125, #150
1" PR, 1-1/4"
2-1/4" x 1-3/16"
TMS SOUTH #
62680232

Body Gasket
B&G PWH-10554
5-5/8" x 5-5/16"
TMS SOUTH #
62680229

Flange Gasket
B&G 80 Series, 1/6 HP
2-9/16" x 2-1/8"
TMS SOUTH #
62680253

Flange Gasket
B&G P3-418, 118351
1", #75, #100
Mfg. before 1956
1-25/32" x 1-1/2"
TMS SOUTH #
62680237

Body Gasket
Aluminum 1/6 HP
3-7/8" x 3-1/2"
TMS SOUTH #
62680261

Body Gasket
60 Series
7-13/16" x 7"
TMS SOUTH #
62680254

Flange Gasket
B&G 118054, F-418
2-1/8" x 1-3/16"
TMS SOUTH #
62680238

Body Gasket
3-5/32" x 2-13/16"
TMS SOUTH #
62680251



TACO FLANGE SETS

PART #	DESCRIPTION
62371251	3/4" Cast iron flange set
62371252	1" Cast iron flange set
62371253	1-1/4" Cast iron flange set
62371254	1-1/2" Cast iron flange set
62370251	3/4" Bronze flange set
62370252	1" Bronze flange set
62370253	1-1/4" Bronze flange set
62370254	1-1/2" Bronze flange set

TACO CARTRIDGE CIRCULATORS

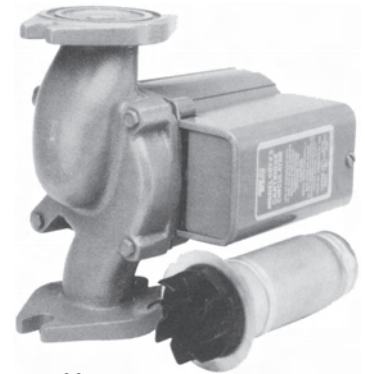
007 CIRCULATOR

Designed to circulate heated or chilled water in residential and light commercial hydronic systems. Also designed to circulate most common solar fluids in closed loop solar systems.

FEATURES

- 1/25 HP motor, impedance protected, non-overloading at any point on the pump curve.
- Cast iron body with cast iron shut-off flanges 3/4", 1", and 1-1/4"
- Universal flange to flange dimensions make it ideal for retrofit.
- Companion flanges 3/4" thru 1-1/2" available in bronze and cast iron.
- Delivers flow rate of 20 GPM and head to 11 feet.

PART #	DESCRIPTION
80100107	007F Cast iron circulator
62370071	007BF Bronze circulator



007

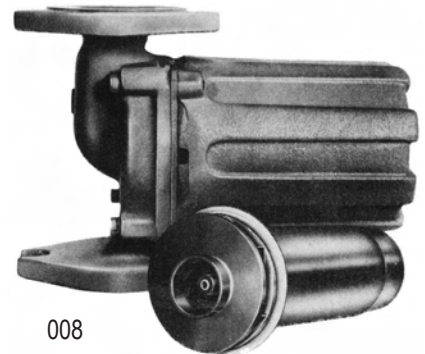
880 CIRCULATOR

Used in domestic hot water recirculation lines, drainback solar systems as well as heat pumps.

FEATURES

- 008B Bronze body with 3/4" thru 1-1/2" companion flanges or 5/8" & 7/8" sweat connections.
- 008F Cast iron flanged body with 3/4" thru 1-1/2" companion flanges.
- Flow rates to 14 GPM and head to 16 feet.

PART #	DESCRIPTION
62370080	008F Cast iron circulator
62370081	008BF Bronze circulator



008



**TOTAL
MAINTENANCE
SOLUTIONS**

HOUSTON
800/392-5066

ORLANDO
800/327-3022

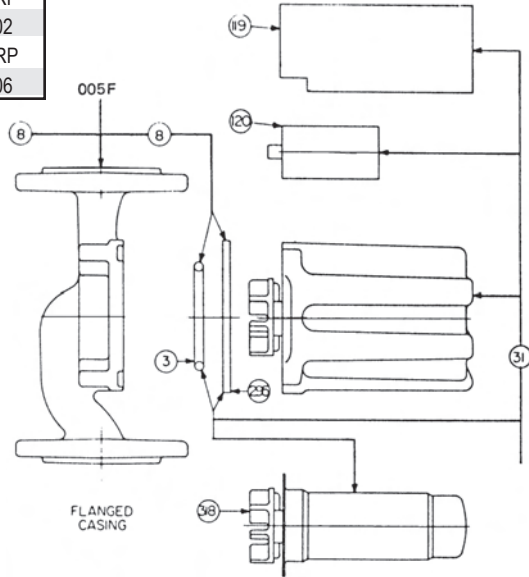
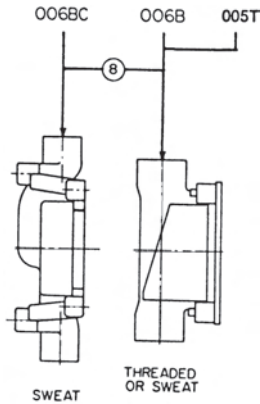
GREENVILLE
800/476-2212

LOOK FOR US ON THE WEB AT: www.TMSSouth.com

HEATING & HYDRONICS

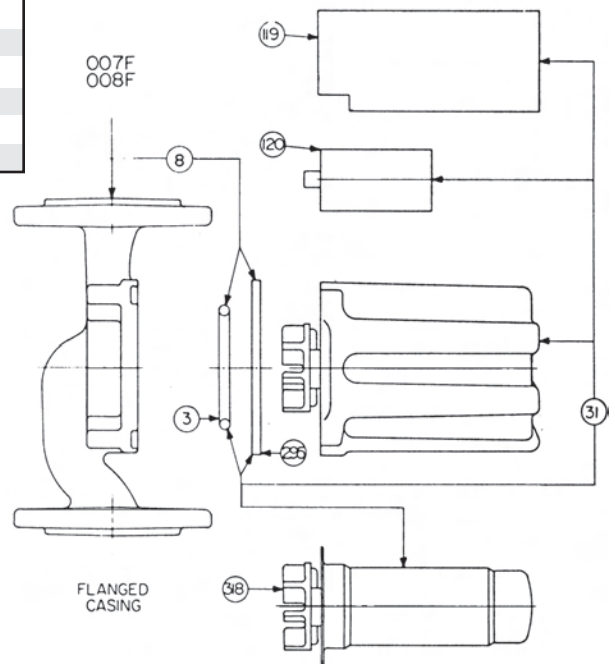
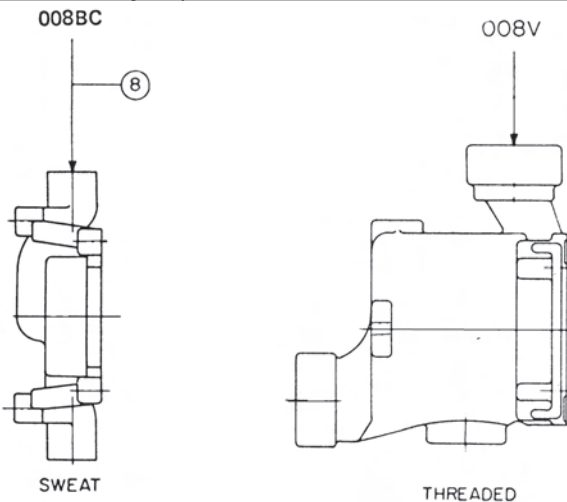
REPLACEMENT PARTS FOR TACO CIRCULATORS 005 & 006

ITEM	DESCRIPTION	005-BF	005-F	006-B2	006-B3
3	Body gasket O-ring	62680263	62680263	62680262	62680262
8	Body	007-020RP	007-020RP	006-001RP	006-001RP
31	Motor assembly	005-003RP	005-005RP	006-003RP	005-005RP
113	Flanged gasket set	62370072	62370072	N/A	N/A
119	Capacitor cover	005-001RP	005-001RP	007-001RP	005-001RP
120	Capacitor	62375002	62375002	62377002	62375002
295	Plate	007-017RP	007-017RP	007-017RP	007-017RP
318	Rotor cartridge assy.	62375006	62375004	62376002	62375006



REPLACEMENT PARTS FOR TACO CIRCULATORS 007 & 008

ITEM	DESCRIPTION	007-F	007-BF	008-F	008-BF
3	Body gasket O-ring	62680262	62680263	62680263	62680263
8	Body	N/A	007-020RP	008-104RP	008-009RP
31	Motor assembly	007-011RP	007-023RP	008-003RP	008-008RP
113	Flanged gasket set	62370072	62370072	62370072	62370072
119	Capacitor cover	007-001RP	007-001RP	007-001RP	007-001RP
120	Capacitor	62377002	62377002	62377002	62377002
295	Plate	N/A	007-017RP	007-017RP	007-017RP
318	Rotor cartridge assy.	62377016	62376002	62378001	62378007



**TOTAL
MAINTENANCE
SOLUTIONS**

HOUSTON
800/392-5066

ORLANDO
800/327-3022

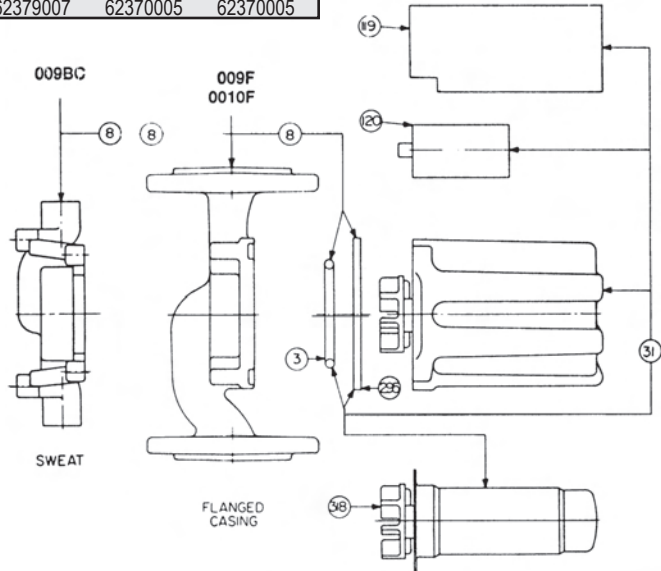
GREENVILLE
800/476-2212

LOOK FOR US ON THE WEB AT: www.TMSSouth.com

HEATING & HYDRONICS

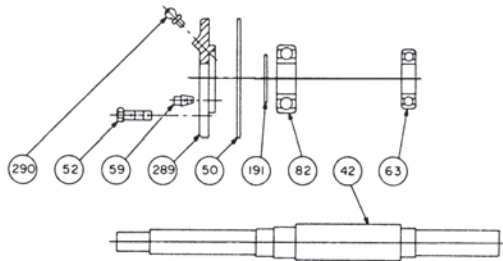
REPLACEMENT PARTS FOR TACO CIRCULATORS 009 & 0010

ITEM	DESCRIPTION	009-F	009-BF2	009-BF4	009-F4	0010-F	0010-BF
3	Body gasket O-ring	62379005	62379005	62379005	62379005	62370008	62370008
8	Body	009-004RP	009-008RP	009-008RP	009-004RP	0010-004RP	0010-007RP
31	Motor assembly	009-003RP	009-006RP	009-006RP	009-003RP	0010-003RP	0010-006RP
113	Flanged gasket set	62370072	62370072	62370072	62370072	62370072	62370072
119	Capacitor cover	007-001RP	007-001RP	005-001RP	005-001RP	005-001RP	005-001RP
120	Capacitor	62377026	62377026	62379014	62379014	62379014	62379014
295	Plate	009-002RP	009-002RP	009-002RP	009-002RP	009-002RP	009-002RP
318	Rotor cartridge assy.	62379007	62379007	62379007	62379007	62370005	62370005



BEARINGS FOR "BB" BASE MOUNTED PUMPS

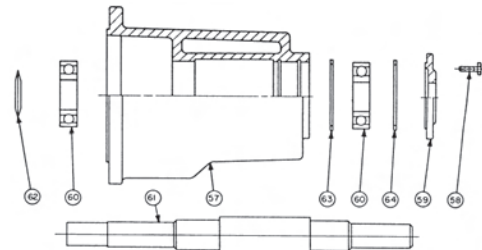
ITEM	DESCRIPTION	FRAME A	FRAME B	FRAME C
42	Shaft			
50	Bearing plate gasket			
52	Bearing plate bolt			
59	Drain plug			
63	Ball bearing	62370784	62370114	62372159
82	Ball bearing	62370067	62370071	62372101
191	Retainer ring			
289	Bearing cover plate assy.			
290	Lubrication fitting			



BEARINGS FOR "FM" BASE MOUNTED PUMPS

ITEM	DESCRIPTION	(1)	(2)	(3)
57	Frame			
58	Hex head screws			
59	Bearing cover			
60	Ball bearing	62370067	62372101	62371155
61	Shaft			
62	Deflector			
63	Retaining ring			
64	Retaining ring			

- (1) For the following pump models FM 1206, 1207, 1208, 1506, FM 1507, 1508, 2006, 2007, 2506.
- (2) For the following pump models FM 1210, 1510, 2008, 2010, FM 2507, 2508, 2510, 3007, 3008, 3010, 4008.
- (3) For the following pump models FM 2513, 3013, 4010, 4013, FM 4016, 5010, 5013, 5016, 6013, 6016.



HOUSTON
800/392-5066

ORLANDO
800/327-3022

GREENVILLE
800/476-2212

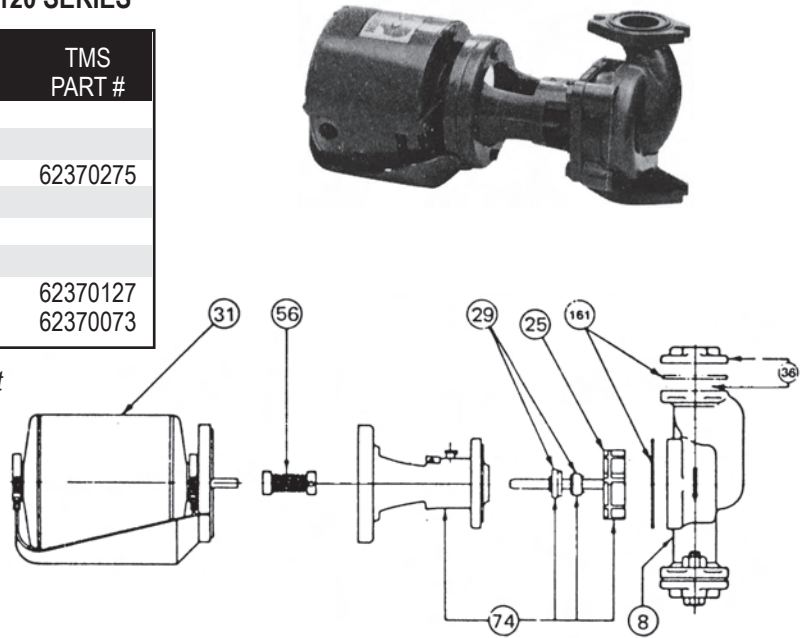
LOOK FOR US ON THE WEB AT: www.TMSSouth.com

HEATING & HYDRONICS

REPLACEMENT PARTS FOR TACO 110 THROUGH 120 SERIES

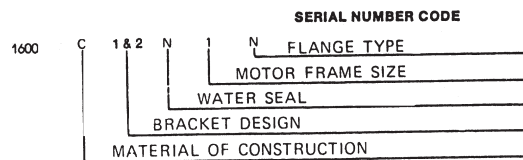
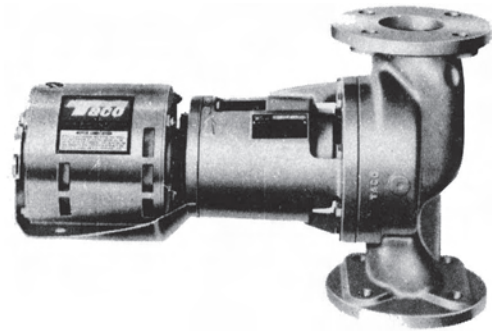
ITEM	DESCRIPTION	TACO PART #	TMS PART #
8	Pump body-cast iron 110&112	110-226RP	
25	Impeller & Shaft- 110 & 110B	110-207RP	
29	Seal kit	110-275RP	62370275
31	Motor assembly 110 & 117	110-223RP	
56	Coupler	110-009RP	
74	Bracket assembly		
161	Gasket kit Models 110-113	110-127RP	62370127
	Gasket kit Model 120	120-073RP	62370073

Note: Pump body, Impeller & Shaft, Motor Assembly, Bracket Assembly are available for other models. Specify model number and cast iron or bronze when ordering.

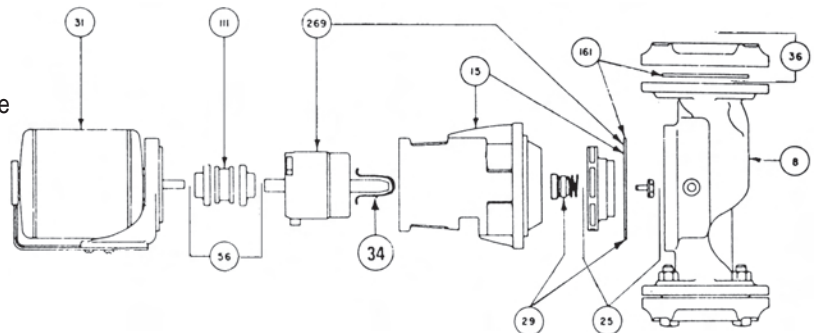


REPLACEMENT PARTS FOR TACO 1600 SERIES PUMPS

ITEM	DESCRIPTION	TACO PART #	TMS PART #
8	Replacement body	(1)	
15	Replacement bracket	(2)	
25	Replacement impeller assembly	(3)	
29	Water seal kit	1600-170RP	62370170
31	Replacement motor assembly	(4)	
34	Shaft sleeve	1600-205RP	62370205
36	Replacement flange set	(5)	
56	Replacement coupler 1/4-2 HP 1/2"x 5/8"	1624-053RP	62684055
	5/8"x 5/8"	1624-053RP	62684058
	Replacement coupler 3 HP	1624-041RP	62685058
111	Coupler insert 3J coupler	1624-020RP	62683000
	Coupler insert 4J coupler	1624-004RP	62684000
	Coupler insert 5J coupler	900-512	62685000
161	Gasket kit	1600-050RP	62370050
269	Cartridge assembly	1600-160RP	62370160



- (1) Please specify cast iron or bronze and pump model number
- (2) Please specify cast iron or bronze, motor frame size (48 or 56) and pump model number
- (3) Please specify pump number
- (4) Please specify HP and 115/60/1, 115/230/60/1, 200/60/3 or 230/460/60/3
- (5) Please specify cast iron or bronze and pump model number



HOUSTON
800/392-5066

ORLANDO
800/327-3022

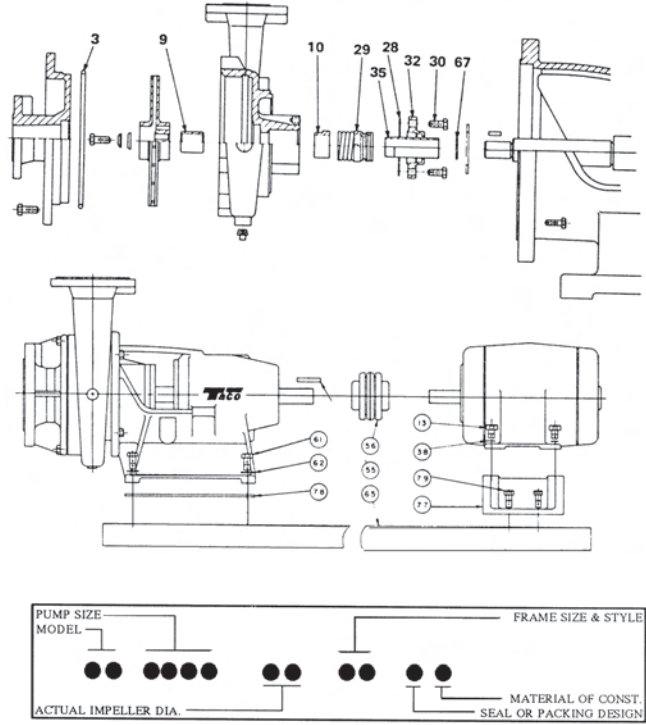
GREENVILLE
800/476-2212

LOOK FOR US ON THE WEB AT: www.TMSSouth.com

HEATING & HYDRONICS

REPLACEMENT PARTS FOR TACO "BB" BASE MOUNTED PUMPS

ITEM	DESCRIPTION	TACO PART #	TMS PART #
3	Suction cover o-ring	912-005RP	62379120
	Model 1508,2008,2508,3008,4008,5008	918-005RP	63379180
	Model 2006,2506,3006,4006	868-004RP	62378680
	Model 2012,3012,4012,5012	862-005RP	62378620
	Model 2510,3010,4010,5010,6010	862-104RP	62378621
9	Impeller spacer	(2) 900-026RP	62379000
		(3) 862-104RP	62378621
28	Retainer cap gasket	(3) 862-031RP	62372031
		(4) 900-011RP	62379011
		(5) 920-014RP	62378623
29	Water seal	(2) 900-024RP	62000204
		(3) 862-029RP	62000305
91	Water seal kit	(2) 840-128BRP	62370128
		(3) Items 28,29,35 & 6	862-172BRP
32	Retainer cap	(3) 862-100RP	62379025
		(4) 900-025RP	62370025
		(5) 920-020RP	62379202
35	Shaft Sleeve	(2) 900-027BRP	62379027
		(3) 862-101BRP	62378602
56	Coupler (1)		
67	Sleeve gasket	(2) 920-007RP	62379207
		(3) 862-113RP	62378613

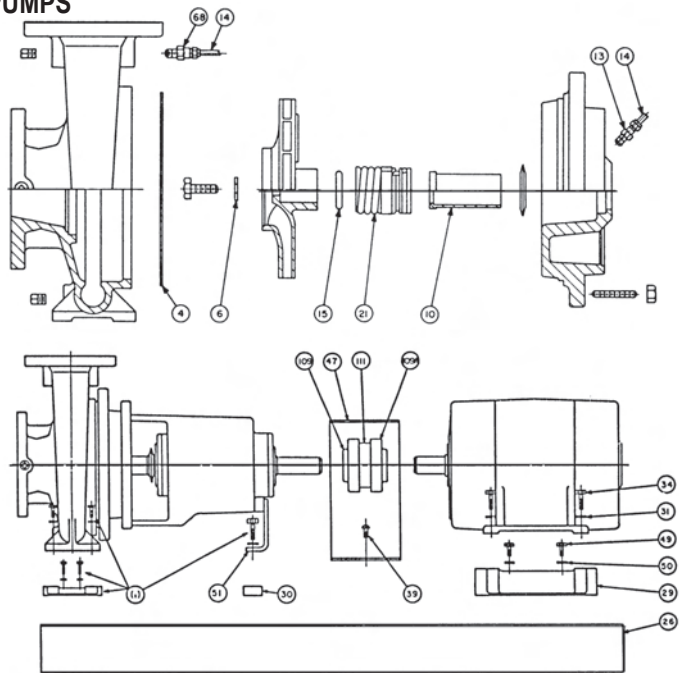


WHEN SELECTING & ORDERING PARTS, ALWAYS REFER TO SERIAL NUMBER ON NAME PLATE

- (1) Specify pump model number and motor size.
- (2) For models BB 1508, 2006, 2008, 2506, 2508, 2510, 2512, 3008, 4006
- (3) For models BB 3010, 3012, 4008, 4010, 4012, 5008, 5010, 5012, 6010
- (4) For models BB 1508, 2006, 2506, 3006
- (5) For models BB 2008, 2012, 2508, 2506, 2510, 3008, 4006

REPLACEMENT PARTS FOR TACO "FM" BASE MOUNTED PUMPS

ITEM	DESCRIPTION	TACO PART #	TMS PART #
4	Gasket		
6	Impeller washer		
10	Sleeve S/S or Bronze		
13	Fitting	862-031RP	
14	Tube		
15	Sleeve gasket		
21	Seal only-regular	(1) 950-664RP	
		(2) 950-665RP	
		(3) 950-666RP	
30	Seal kit (items 4, 6, 10, 15 & 21)	(1) 950-664BRP	62372210
		(2) 950-665BRP	62372220
		(3) 950-666BRP	62372230
68	Fitting		
109	Coupler (4)		
111	Coupler insert (4)		



- (1) For the following pump models FM 1206,1207,1208,1506,1507, 1508, FM 2006, 2007, 2506
- (2) For the following pump models FM 1210, 1510, 2008, 2010, 2507, 2508, FM 2510, 3007, 3008, 3010, 4008
- (3) For the following pump models FM 2513, 3013, 4010, 4013,4016,5010, FM 5013, 5016, 6013, 6016
- (4) Specify pump model & motor size



HOUSTON
800/392-5066

ORLANDO
800/327-3022

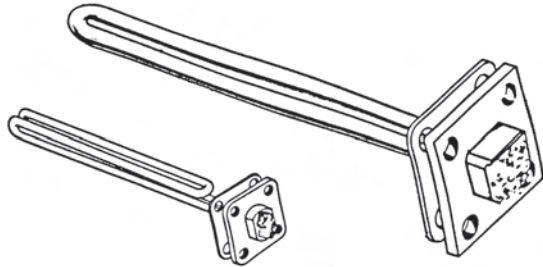
GREENVILLE
800/476-2212

LOOK FOR US ON THE WEB AT: www.TMSSouth.com

HEATING & HYDRONICS

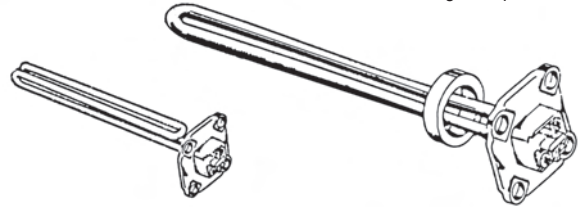
FLAT FLANGE ELEMENTS

PART #	WATTS	VOLTS	MIN. TANK	
			DIA.	TYPE
94491002	4500/3500	240/208	10"	Double loop
94491010	4500/3500	240/208	14"	Single loop
94491020	5000/3800	240/208	14"	Single loop
94491024	6000	208	16"	Double loop
94491030	6000	480	12"	Double loop



RAISED FLANGE ELEMENTS

PART #	WATTS	VOLTS	MIN. TANK	
			DIA.	TYPE
94492003	1500	120	8"	Single loop
94492004	2000	120	8"	Single loop
94492006	2000/1500	240/208	8"	Single loop
94492008	2500/2000	240/208	10"	Single loop
94492009	3000	240	10"	Single loop
94492010	3500/2500	240/208	12"	Single loop
94492012	4000	240	12"	Single loop
94492016	4500/3500	240/208	10"	Double loop
94492020	4500/3500	240/208	14"	Single loop
94492023	5500/4000	240/208	12"	Single loop
94492024	6000/4500	240/208	12"	Single loop



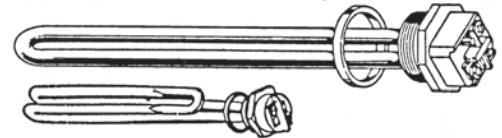
ROUND HEAD FLANGE ELEMENTS

PART #	WATTS	VOLTS	MIN. TANK	
			DIA.	TYPE
94492501	1500	120	8"	Single loop
94492502	2000	120	8"	Single loop
94492503	2500	120	10"	Single loop
94492504	4500/3500	240/208	10"	Double loop
94492506	4500	240	14"	Single loop



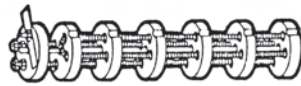
SCREW PLUG ELEMENTS

PART #	WATTS	VOLTS	MIN. TANK	
			DIA.	TYPE
94491502	1000	120	8"	Single loop
94491504	1500	120	8"	Single loop
94491506	2000	120	8"	Single loop
80200016	2500	120	10"	Single loop
94491514	2000/1500	240/208	8"	Single loop
94491516	3500/2500	240/208	12"	Single loop
94491522	4500/3500	240/208	10"	Double loop
80200007	4500/3500	240/208	14"	Single loop
94491532	5000/3800	240/208	12"	Single loop
94491536	5500/4000	240/208	12"	Single loop
94491538	5500/4000	240/208	12"	Double loop
94491540	6000/4500	240/208	12"	Single loop
94491544	6000	480	12"	Single loop



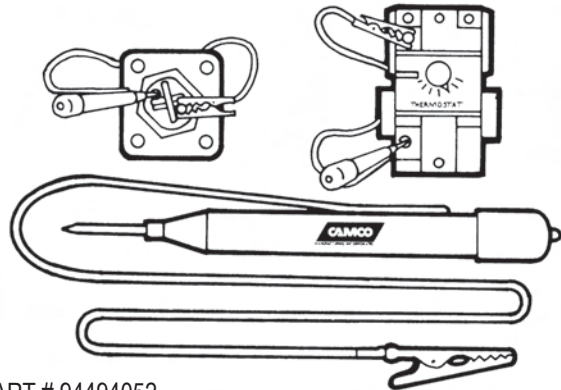
OPEN COIL ELEMENT

PART #	WATTS	VOLTS
94492802	1500	120



WATER HEATER CONTINUITY TESTER

Test elements and thermostats while they are still in the heater.
 Note: Electric service must be turned off at the circuit box.



PART # 94494052
 Replacement bulb - Order PART # 94494056

ORDERING FROM US IS EASY!

3 LOCATIONS:
 ORLANDO, FL
 HOUSTON, TX
 TAYLORS, SC

- PHONE • FAX
- MAIL • EDI
- EMAIL

OR PLACE IT WITH YOUR LOCAL SALES REPRESENTATIVE.

Mail orders to P.O. Box 68, Taylors, SC 29687

Email us at donnie@tmsouth.com



TOTAL MAINTENANCE SOLUTIONS

HOUSTON
 800/392-5066

ORLANDO
 800/327-3022

GREENVILLE
 800/476-2212

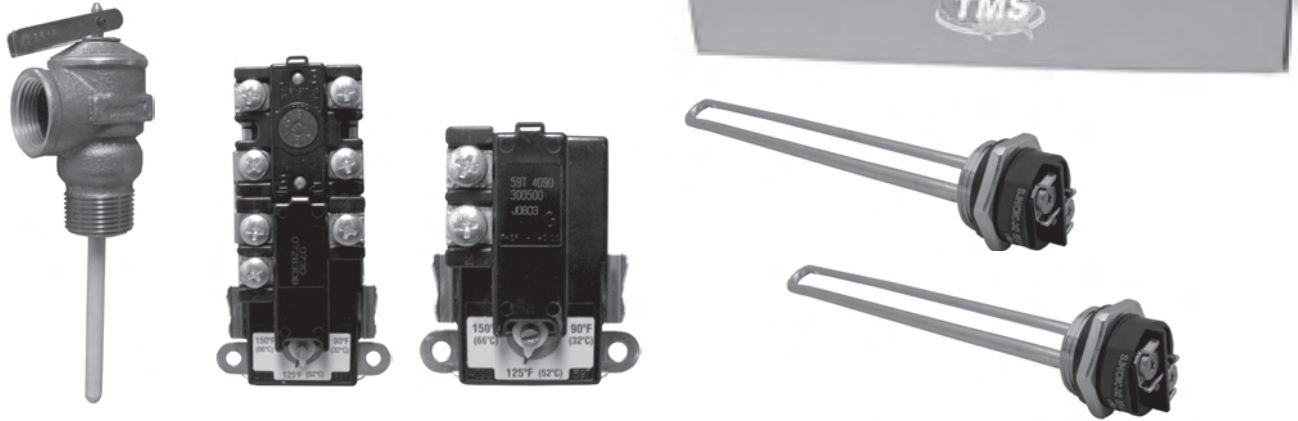
LOOK FOR US ON THE WEB AT: www.TMSSouth.com

HEATING & HYDRONICS

ELECTRIC WATER HEATER REPAIR KITS

INCLUDES THE FOLLOWING:

- Screw-in elements (2 ea) with gaskets
- Upper thermostat 208 volt-440/480 volt
- Lower thermostat 208 volt-440/480 volt
- Pressure & temperature relief valve 3/4 thread, 150 psi, 210° F*



Kit # 80200040 shown

* not included in all kits

PART # 80200017

*Kit Contains:
2 EA. 4,500 Watt, Screw-In Elements (with gaskets)
Upper & Lower Thermodisc Thermostats, 208 Volt through 440/480
(Packaged in a durable, convenient custom shelf box)*



PART # 80200018

*Kit Contains:
2 EA. 4,500 Watt, Screw-In Elements (with gaskets)
Upper & Lower Thermodisc Thermostats, 208 Volt through 440/480 Volt
3/4" Threaded Automatic Reseating Pressure-Temperature Relief Valve Rated @ 150 psi & 210 F Temperature. Fits all residential makes & models.
(Packaged in a durable, convenient custom shelf box)*



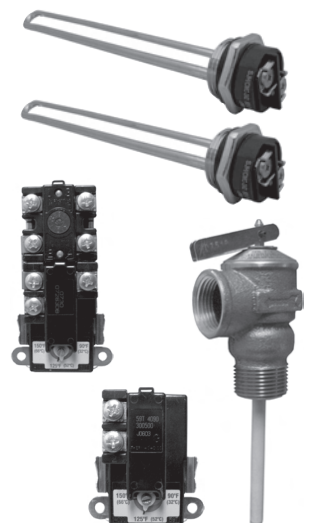
PART # 80200019

*Kit Contains:
2 EA. 2,500 Watt, Screw-In Elements (with gaskets)
Upper & Lower Thermodisc Thermostats, 208 Volt through 440/480 Volt
(Packaged in a durable, convenient custom shelf box)*



PART # 80200040

*Kit Contains:
2 EA. 2,500 Watt, Screw-In Elements (with gaskets)
Upper & Lower Thermodisc Thermostats, 208 Volt through 440/480 Volt
3/4" Threaded Automatic Reseating Pressure-Temperature Relief Valve Rated @ 150 psi & 210 F Temperature. Fits all residential makes & models.
(Packaged in a durable, convenient custom shelf box)*

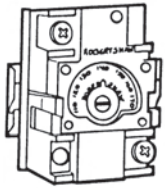


HEATING & HYDRONICS

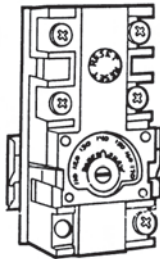
THERMOSTATS FOR ELECTRIC HEATERS

ROBERTSHAW

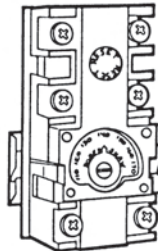
ITEM	PART #	DESCRIPTION
1	94494040	Single pole-lower,less reset
2	94494044	Single pole w/HLC for single element heater
3	94494042	Double pole with HLC-upper



94494040



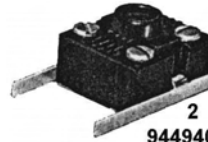
94494044



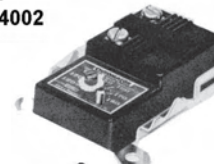
94494042

THERMODISC-OLD STYLE

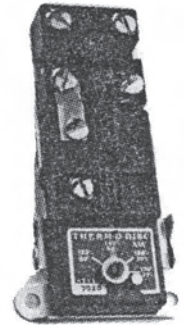
ITEM	PART #	DESCRIPTION
1	94494010	4 point - no high limit, less reset
2	94494002	High limit control for mounting on 94494010
3	80200010	2 point - lower control, less reset
4	94494006	4 point with high limit (NLA use 80200004)
5	94494004	2 point with high limit



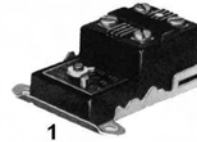
2
94494002



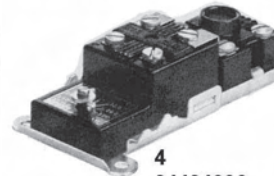
3
80200010



5
94494004



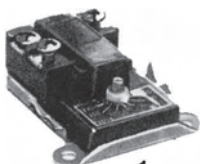
1
94494010



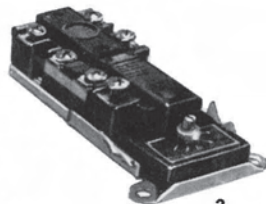
4
94494006
NLA use 80200004

THERMODISC-NEW STYLE

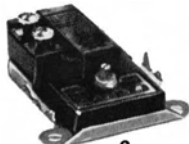
ITEM	PART #	DESCRIPTION
1	94494030	3 point - no high limit
2	94494034	2 point - lower control, less reset
3	94494036	2 point with high limit-single element control
4	80200004	3 point upper with high limit



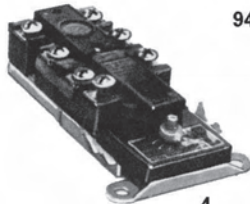
1
94494030



3
94494036



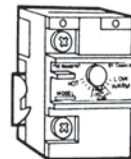
2
94494034



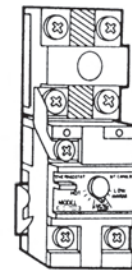
4
80200004

APCOM

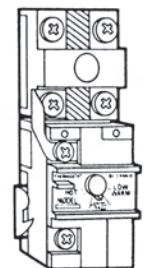
ITEM	PART #	DESCRIPTION
1	94494040	2 point, lower thermostat for two element heater, less reset
2	80200011	3 point w/ high limit, upper thermostat for two element heater
3	94494044	2 point w/ high limit for single element heater



1
94494040



2
80200011



3
94494044



**TOTAL
MAINTENANCE
SOLUTIONS**

HOUSTON
800/392-5066

ORLANDO
800/327-3022

GREENVILLE
800/476-2212

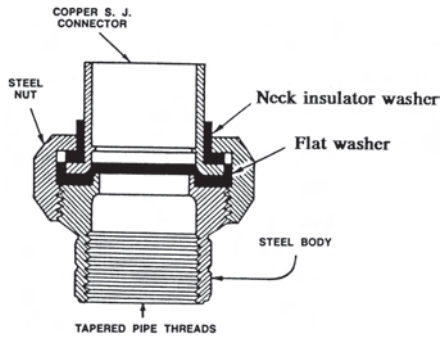
LOOK FOR US ON THE WEB AT: www.TMSSouth.com

HEATING & HYDRONICS

DIELECTRIC UNIONS

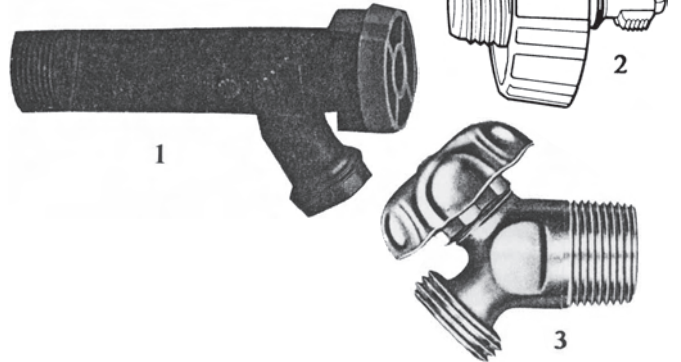
For connections between dissimilar or similar metals, in any plumbing system, to control corrosion caused by galvanic or electrolytic action.

PART #	DESCRIPTION
80200021	1/2" swt x 1/2" FIP
80200002	3/4" swt x 3/4" FIP
80200022	1" swt x 1" FIP
80200023	1-1/4" swt x 1-1/4" FIP
80200024	1-1/2" swt x 1-1/2" FIP
80200025	2" swt x 2" FIP
80200026	1/2" Neck insulator washer
80200027	3/4" Neck insulator washer
80200001	1/2" Flat washer
80200012	3/4" Flat washer
80200028	1" Flat washer



WATER HEATER DRAINS

ITEM	PART #	DESCRIPTION
1	94010351	3/4" NPT x 2-3/4" Poly drain
2	94010302	Master Flow drain
3	94201600	3/4" NPT brass drain



WATER HEATER DRAIN PANS

PART #	DESCRIPTION
94499913	24" Round water heater pan, high impact plastic, with 1" drain fitting
94499915	30" Round water heater pan, high impact plastic, with 1" drain fitting



GAS LEAK DETECTOR FLUID

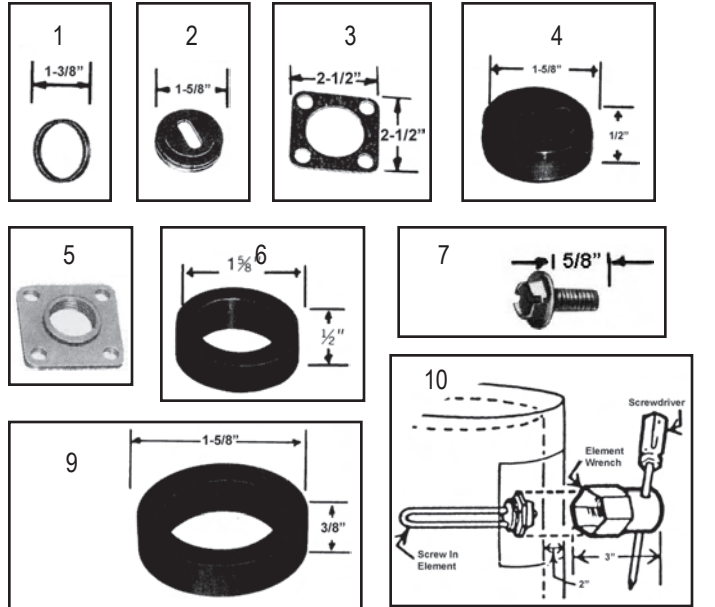
Fluid detects leaks in anything that can be tested with air or gas pressure. Dries clean

94494054	8 ounce bottle
94494056	1 gallon bottle



WATER HEATER ELEMENT ACCESSORIES

ITEM	PART #	DESCRIPTION
1	94493008	Gasket for Screw Plug element
2	94493010	Gasket for Round Head element
3	94493012	Gasket for Flat & Raised Flange element when tank has flat 2-1/2" sq. tank flange
4	94493018	Slot gasket for Flat & Raised flange element when tank has recessed tank flange
5	94499908	Adapter flange for screw plug element
6	94493006	Gasket for Flat flange element when tank has recessed tank flange
7	94209910	Flange bolt
8	80200029	Gasket for all type elements when tank flange is twist lock type
9	80200030	Gasket for Flat flange element is recessed tank flange
10	80200031	Screw-in element wrench



**TOTAL
MAINTENANCE
SOLUTIONS**

HOUSTON
800/392-5066

ORLANDO
800/327-3022

GREENVILLE
800/476-2212

LOOK FOR US ON THE WEB AT: www.TMSSouth.com

HEATING & HYDRONICS

MINI-TANK ELECTRIC WATER HEATER

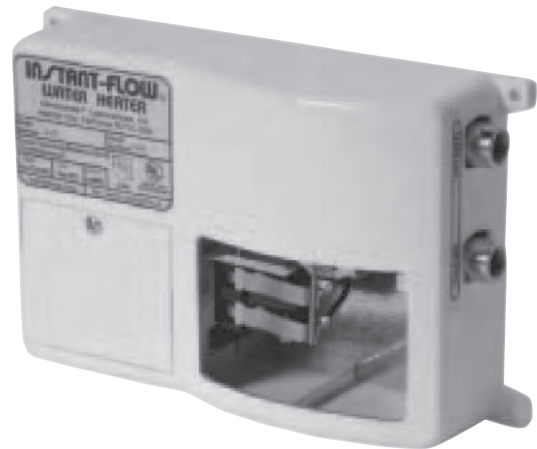
120V, 12.5 amp 1500 watts
 Recovery 90°F rise 7 gallons pre hour
 Temperature range 65° – 175°
 1/2" IP connection
 13-3/4" width x 13-3/4" height x 10-3/4" depth

PART #	DESCRIPTION
94001102	2.5 gallon
94001104	4.0 gallon



INSTANT-FLOW TANKLESS ELECTRIC WATER HEATERS

.5 gpm flow rate. 110-120V, 15amp, 1800 watts with 24°F temperature rise.
 10-1/8" width x 6-1/4" height x 2-3/4" depth
 PART # 80100209



INSTANT FLOW TANKLESS GAS HEATERS ALSO AVAILABLE



NORITZ



TAKAGI



HOUSTON 800/392-5066 **ORLANDO** 800/327-3022 **GREENVILLE** 800/476-2212

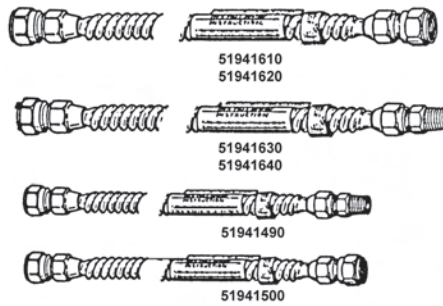

LOOK FOR US ON THE WEB AT: www.TMSSouth.com

HEATING & HYDRONICS

GAS APPLIANCE CONNECTORS

EPOXY COATED - CORRUGATED BRASS TUBING

3/8" O.D.		
51941400	12"	3/8" F.I.P. X 3/8" F.I.P.
7/8" O.D. (1/2" Nom. I.D. 15/16" - 16 Thread)		
PART #	LENGTH	DESCRIPTION
51941610	18"	3/4" F.I.P. X 3/4" F.I.P.
51941620	24"	3/4" F.I.P. X 3/4" F.I.P.
51941630	18"	3/4" F.I.P. X 3/4" M.I.P.
51941640	24"	3/4" F.I.P. X 3/4" M.I.P.

AGA GAS BALL VALVES

PART #	SIZE
57165512	1/2"
57165524	3/4"

1/2" O.D. (1/2" Nom. I.D.) WITH END FITTINGS		
PART #	LENGTH	DESCRIPTION
51941490	18"	1/2" F.I.P. X 1/2" M.I.P.
51941500	24"	1/2" F.I.P. X 1/2" F.I.P.

	PART #	DESCRIPTION
	40902388	3/8" Flare x 3/8" MIP
	40902389	3/8" Flare x 1/2" MIP
	40902350	1/2" Flare x 1/2" MIP
	40902372	3/8" Flare x 3/8" FIP
	40902373	3/8" Flare x 1/2" FIP
	40902374	1/2" Flare x 1/2" FIP
	89381632	3/8" Flare x 3/8" FIP Ell
	89381634	1/2" Flare x 1/2" FIP Ell

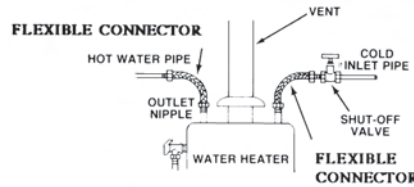
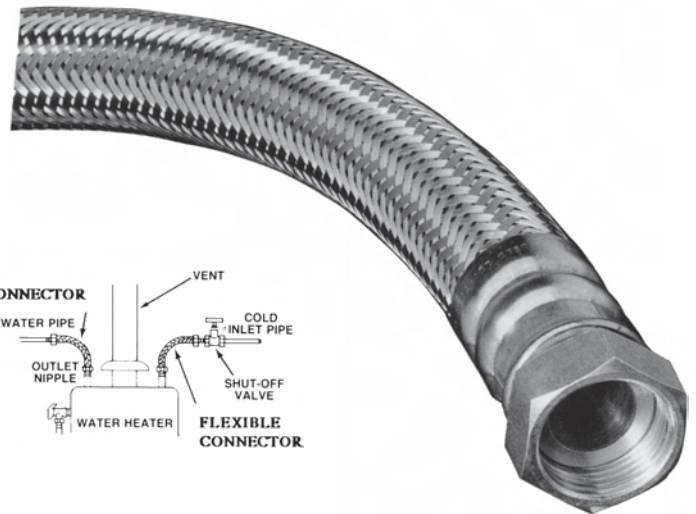
CORRUGATED STAINLESS STEEL TUBING

7/8" O.D. (1/2" Nom. I.D.) WITH END FITTINGS		
PART #	LENGTH	DESCRIPTION
51941710	18"	3/4" F.I.P. X 3/4" F.I.P.
51941720	24"	3/4" F.I.P. X 3/4" F.I.P.
51941730	18"	3/4" F.I.P. X 3/4" M.I.P.
51941740	24"	3/4" F.I.P. X 3/4" M.I.P.

FLEXIBLE WATER HEATER CONNECTORS

Braided stainless steel outer covering with inner core of non-toxic polymer which is suitable for water temperatures up to 230 F. Fittings are permanently attached with leakproof, 12 - point crimps.

PART #	DESCRIPTION
80200032	3/4" FIP x 3/4" FIP x 12"
80200013	3/4" FIP x 3/4" FIP x 18"
80200014	3/4" FIP x 3/4" FIP x 24"
51022038	3/4" MIP x 5/8" O.D. Comp. x 12"
51022042	3/4" MIP x 5/8" O.D. Comp. x 18"
51022026	3/4" MIP x 7/8" O.D. Comp. x 12"
40800579	3/4" MIP X 7/8" O.D. Comp. x 18"
51022028	3/4" FIP x 7/8" O.D. x 12"
40800520	3/4" FIP x 7/8" O.D. x 18"
51022034	3/4" FIP x 7/8" x 24"
80200033	12" Copper water heater connection
40800842	18" Copper water heater connection
80200015	24" Copper water heater connection



UNIVERSAL THERMOCOUPLE KITS

PART #	SIZE
94474206	18"
94474208	24"
94474210	30"
94474212	36"
94474214	48"

THERMOCOUPLE TESTER

Test old thermocouples before replacing, and check new ones before installation. Comes with instructions. PART # 94494050



TOTAL MAINTENANCE SOLUTIONS

HOUSTON
800/392-5066

ORLANDO
800/327-3022

GREENVILLE
800/476-2212

LOOK FOR US ON THE WEB AT: www.TMSSouth.com